



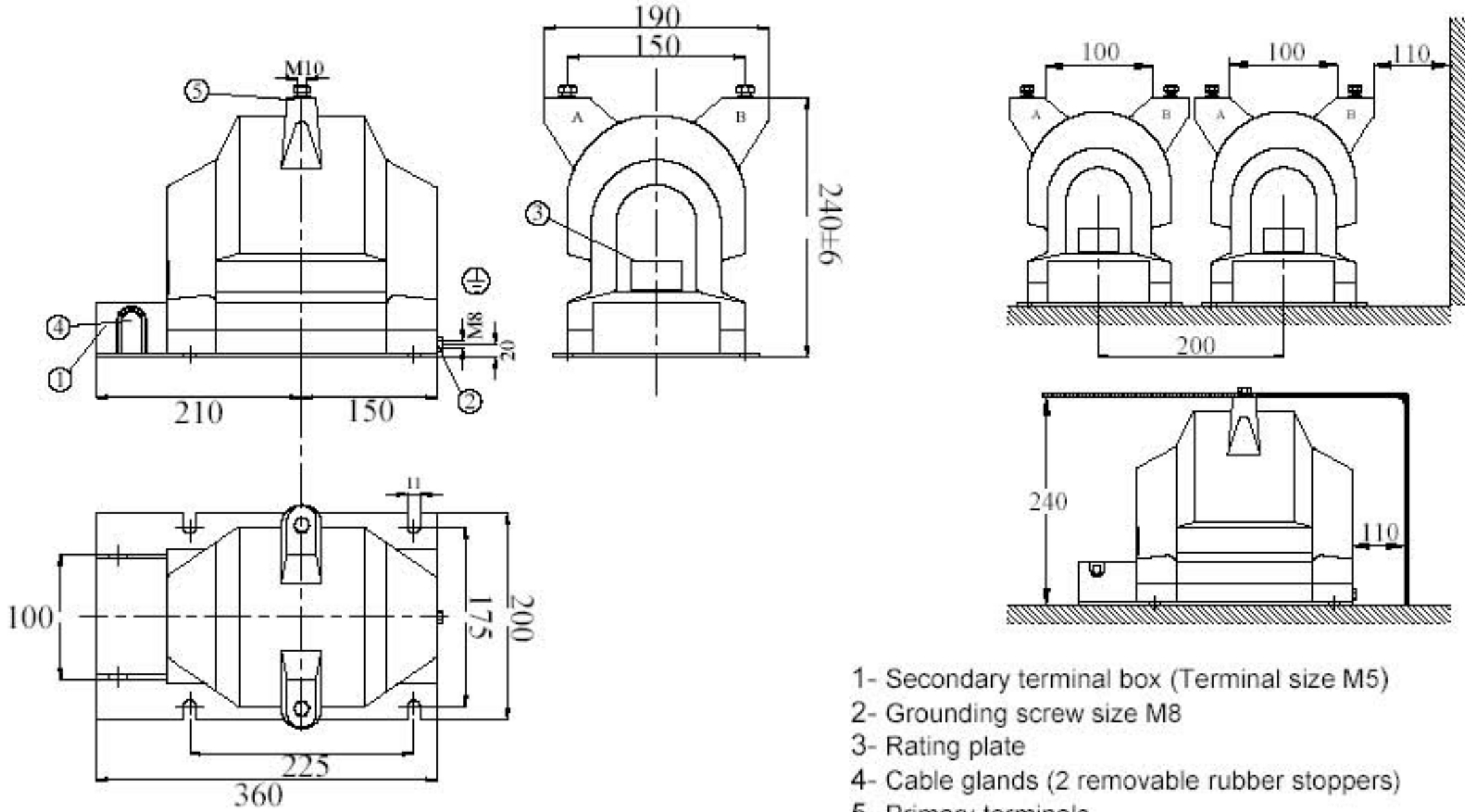
TYPE: 2GBT-10

Indoor, Cast-Resin Insulated

Double-pole Voltage Transformers

f = 50...60 Hz. DIN42600, Blatt 3, IEC 60044-2

Catalogue No: 2GBT10-2005



- 1- Secondary terminal box (Terminal size M5)
- 2- Grounding screw size M8
- 3- Rating plate
- 4- Cable glands (2 removable rubber stoppers)
- 5- Primary terminals

Primary Voltage (V)	Secondary Voltage (V)	Accuracy Class	Burden (VA)	Thermal Limiting Output (VA)	Weight (kg)
3000	100 110	0.2	15	500	30
5000			30		
6000			50		
6300					
10000		0.5	60		
12600		1.0	100-120		

Rated insulation level : 12 / 28 / 75 kV or 17.5 / 38 / 95 kV

Rated Voltage Factor : 1.2 x U_N Continuous

The cantilever strenght > 5000 N

-All dimmensions in mm.

-Senerji reserves the rights to change the dimensions of the products



SENERJİ

ISTANBUL / TURKIYE

Address: Büyükdere Cd. No:159/12 Zincirlikuyu - ISTANBUL / TURKIYE

Tel: +90 212 356 21 12 Fax: +90 212 356 21 11

WEB: www.senerjieng.com Mail: info@senerjieng.com