



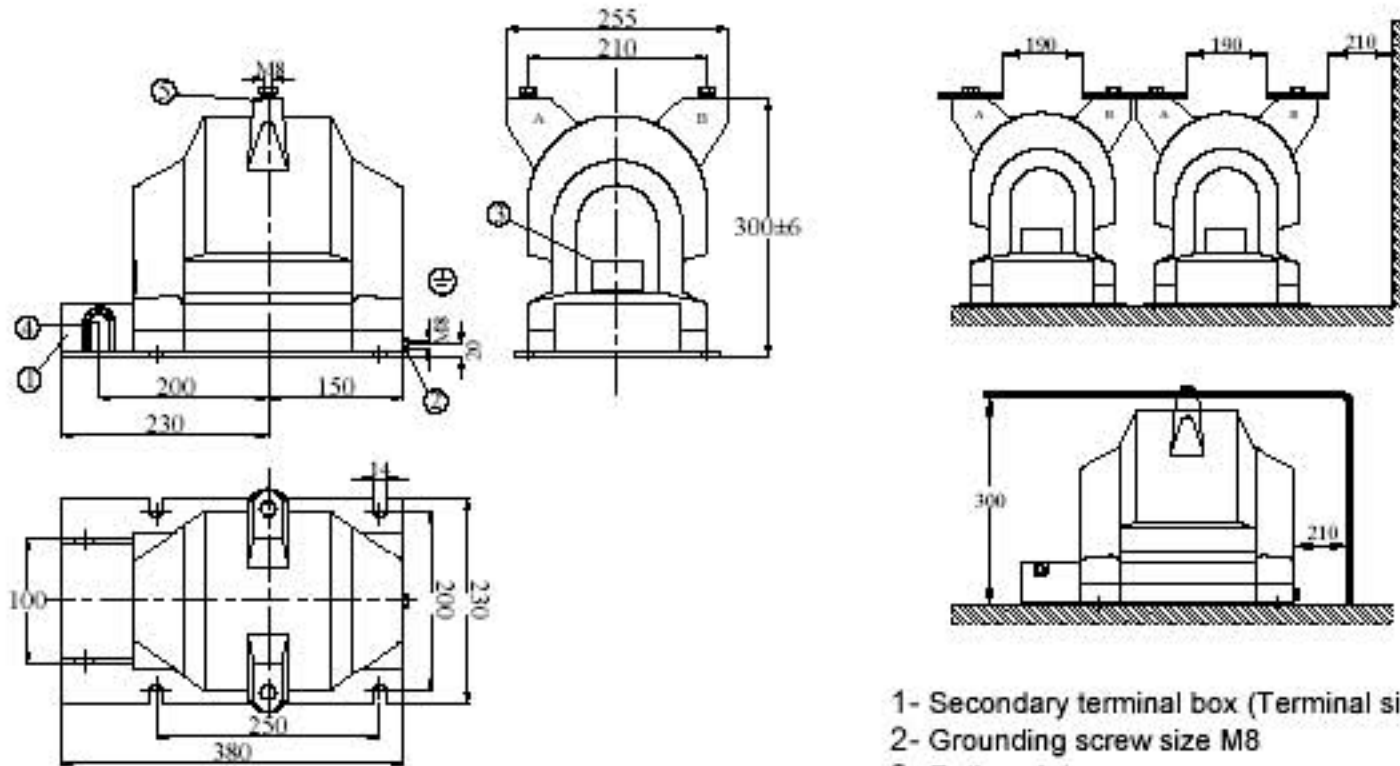
**TYPE: 2GBT-20**

**Indoor, Cast-Resin Insulated**

**Double-pole Voltage Transformers**

**f = 50-60 Hz. DIN42600, Blatt 3, IEC 60044-2**

Catalogue No: 2GBT20-2005



- 1- Secondary terminal box (Terminal size M5)
- 2- Grounding screw size M8
- 3- Rating plate
- 4- Cable glands (2 removable rubber stoppers)
- 5- Primary terminals

Primary Voltage (V)	Secondary Voltage (V)	Accuracy Class	Burden (VA)	Thermal Limiting Output (VA)	Weight (kg)
15000 20000 22000	100 110	0.2	15	500	40 - 42
			30		
			50		
		0.5	90		
			100		
			150		
		1.0			

Rated insulation level : 17.5 / 38 / 95 kV  
24 / 50 / 125 kV

Rated Voltage Factor : 1.2 x U<sub>N</sub> Continuous  
The cantilever strenght > 5000 N

-All dimensions in mm.

-Senerji reserves the rights to change the dimensions of the products



**SENERJİ**

ISTANBUL / TURKIYE

Address: Büyükdere Cd. No:159/12 Zincirlikuyu - ISTANBUL / TURKIYE

Tel: +90 212 356 21 12 Fax: +90 212 356 21 11

WEB: [www.senerjieng.com](http://www.senerjieng.com) Mail: [info@senerjieng.com](mailto:info@senerjieng.com)