

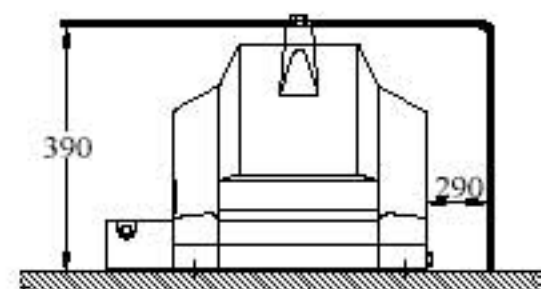
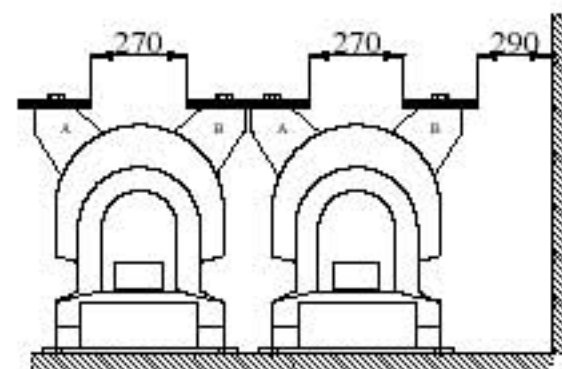
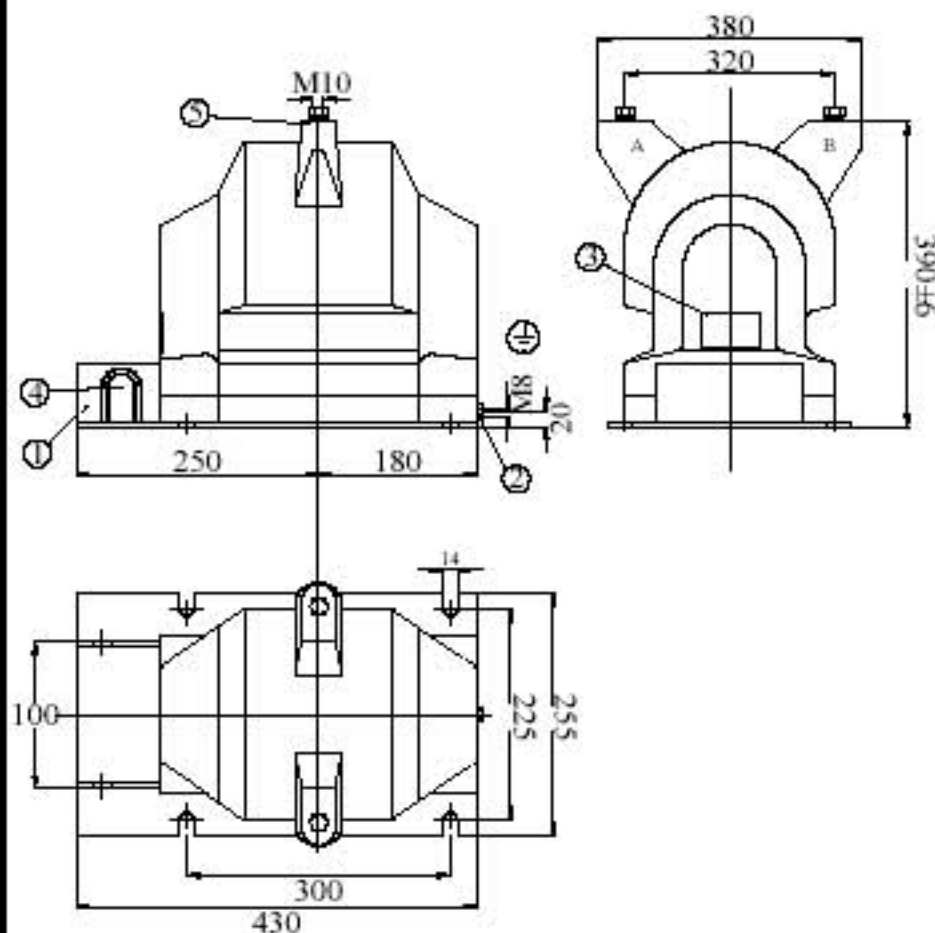


TYPE: 2GBT-30

**Indoor, Cast-Resin Insulated
Double-pole Voltage Transformers**

f = 50...60 Hz. DIN42600, Blatt 3, IEC 60044-2

Catalogue No : 2GBT30-2005



- 1- Secondary terminal box (Terminal size M5)
- 2- Grounding screw size M8
- 3- Rating plate
- 4- Cable glands (2 removable rubber stoppers)
- 5- Primary terminals

Primary Voltage (V)	Secondary Voltage (V)	Accuracy Class	Burden (VA)	Thermal Limiting Output (VA)	Weight (kg)
25000	100 110	0.2	15	600	60 - 65
30000			30		
31500			50		
33000		0.5	90		
35000		100	150		

Rated insulation level : 36 / 70 / 170 kV
 Rated Voltage Factor : 1.2 x U_N Continuous
 The cantilever strenght > 5000 N

-All dimensions in mm.
 -Senerji reserves the rights to change the dimensions of the products



Address: Büyükdere Cd. No:159/12 Zincirlikuyu - İSTANBUL / TÜRKİYE
 Tel: +90 212 356 21 12 Fax: +90 212 356 21 11
 WEB: www.senerjieng.com Mail: info@senerjieng.com