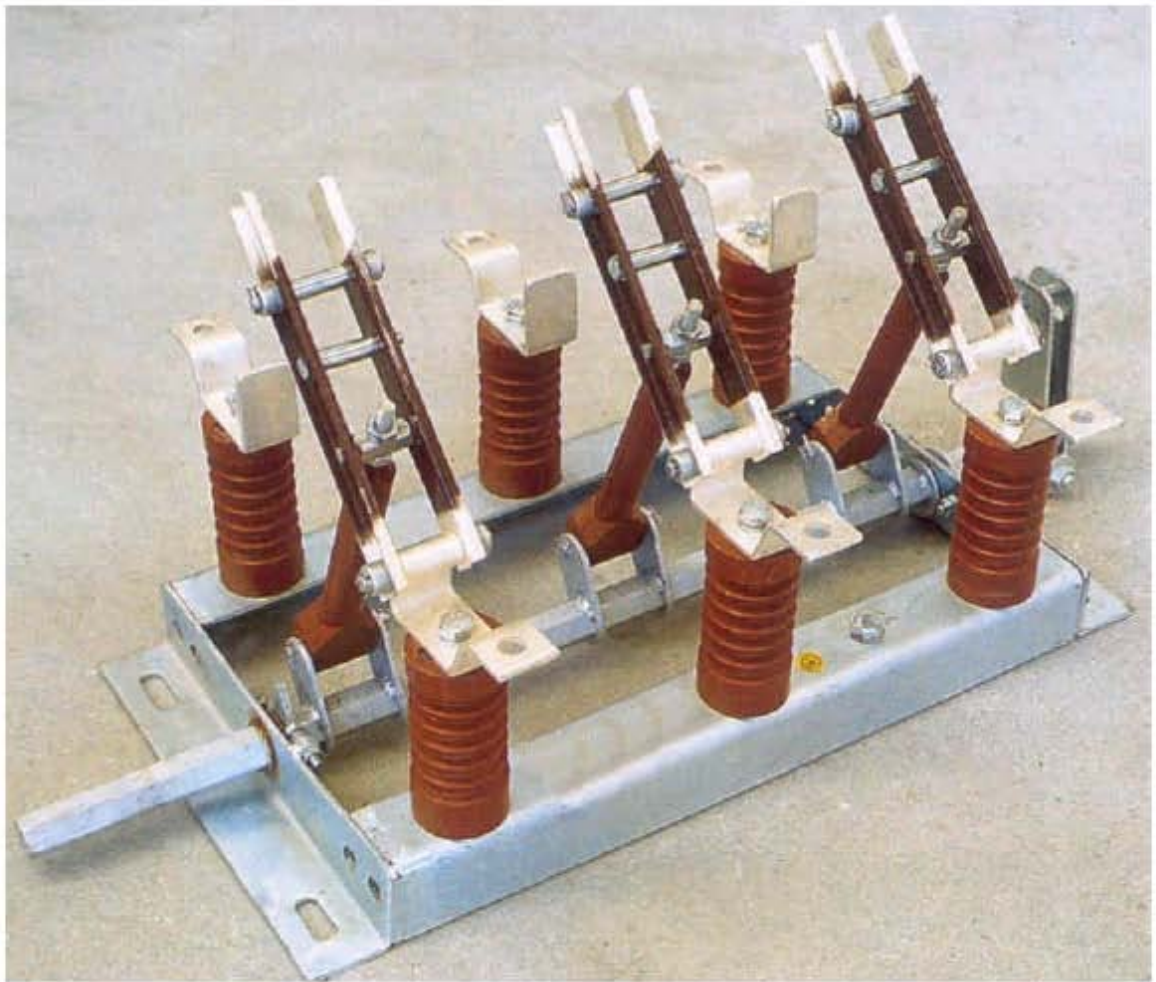




SENERJI

THREE-POLE INDOOR DISCONNECTOR

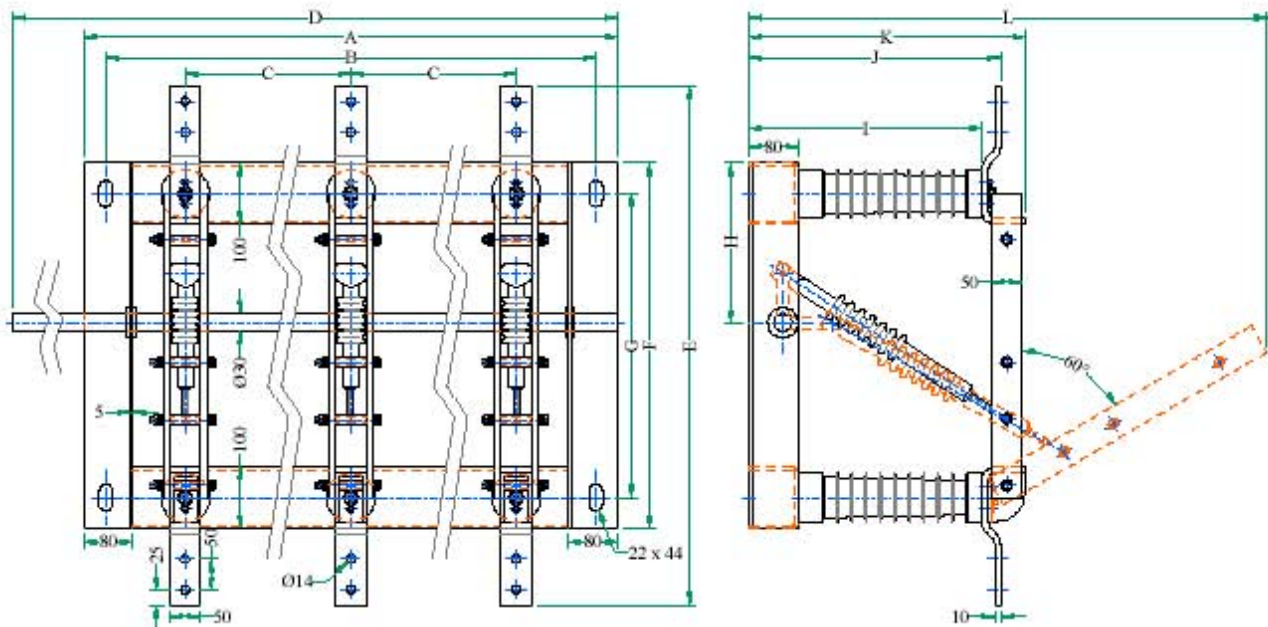


- ✓ *Designed to allow both vertical and horizontal mounting*
- ✓ *The twin sectioning blades and terminals are made of electrolytic copper. Terminals and contact surfaces of blades are silver plated.*
- ✓ *The framework is made of 5mm steel and electro-galvanized or hot dip galvanized*

SENERJI reserves all rights in this document and in the information contained therein. Any data contained therein may be changed without further notice. Reproduction, use or disclosure to third parties without express authority is strictly forbidden



SENERJI



ELECTRICAL DATA

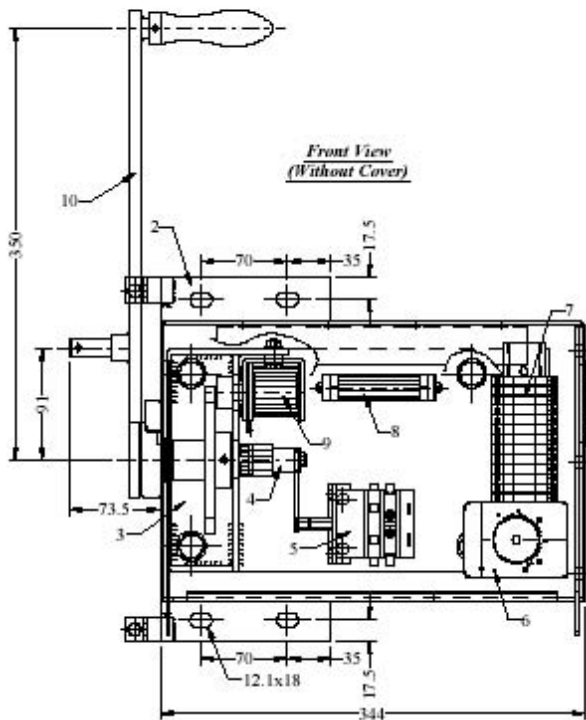
| Type | Rated Voltage (kV) | Rated Current (A) | Short-Time Current (kA / 3sec) |
|---------|--------------------|-------------------|--------------------------------|
| TPID-12 | 12 kV | 630 or 1250 | 20, 25 or 31.5 kA/3sec |
| TPID-24 | 24 kV | | |
| TPID-36 | 36 kV | | |

MECHANICAL DATA

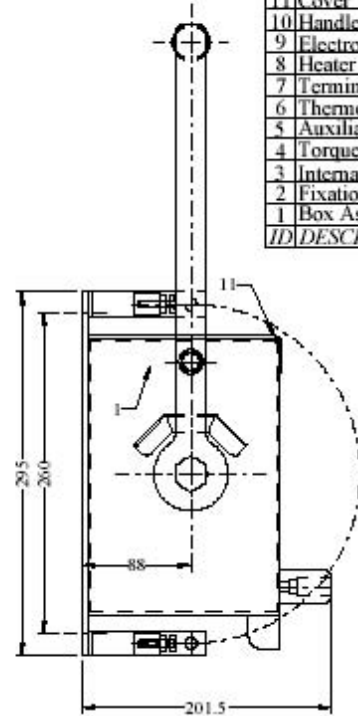
| Type | Dimensions (mm) | | | | | | | | | | | | Weight (kg) |
|---------|-----------------|------|-----|------|-----|-----|-----|-----|-----|-----|-----|-----|-------------|
| | A | B | C | D | E | F | G | H | I | J | K | L | |
| TPID-12 | 930 | 860 | 300 | 1140 | 630 | 380 | 280 | 175 | 210 | 240 | 280 | 490 | 26 |
| TPID-24 | 1030 | 960 | 350 | 1250 | 650 | 400 | 300 | 210 | 290 | 320 | 360 | 590 | 40 |
| TPID-36 | 1370 | 1300 | 520 | 1780 | 845 | 595 | 495 | 260 | 380 | 410 | 450 | 840 | 57 |

OPTIONS

- ✓ Fuse along with Fuse holder
- ✓ Operating Mechanism Box including on demand:
 - ✎ Auxiliary Contacts Block (up to 12 N.O. & 12 N.C.)
 - ✎ Motorized Operation (48... 110V_{dc} / 220V_{ac})
 - ✎ Electromagnetic Interlock (48... 110V_{dc} / 220V_{ac})



Front View
(Without Cover)



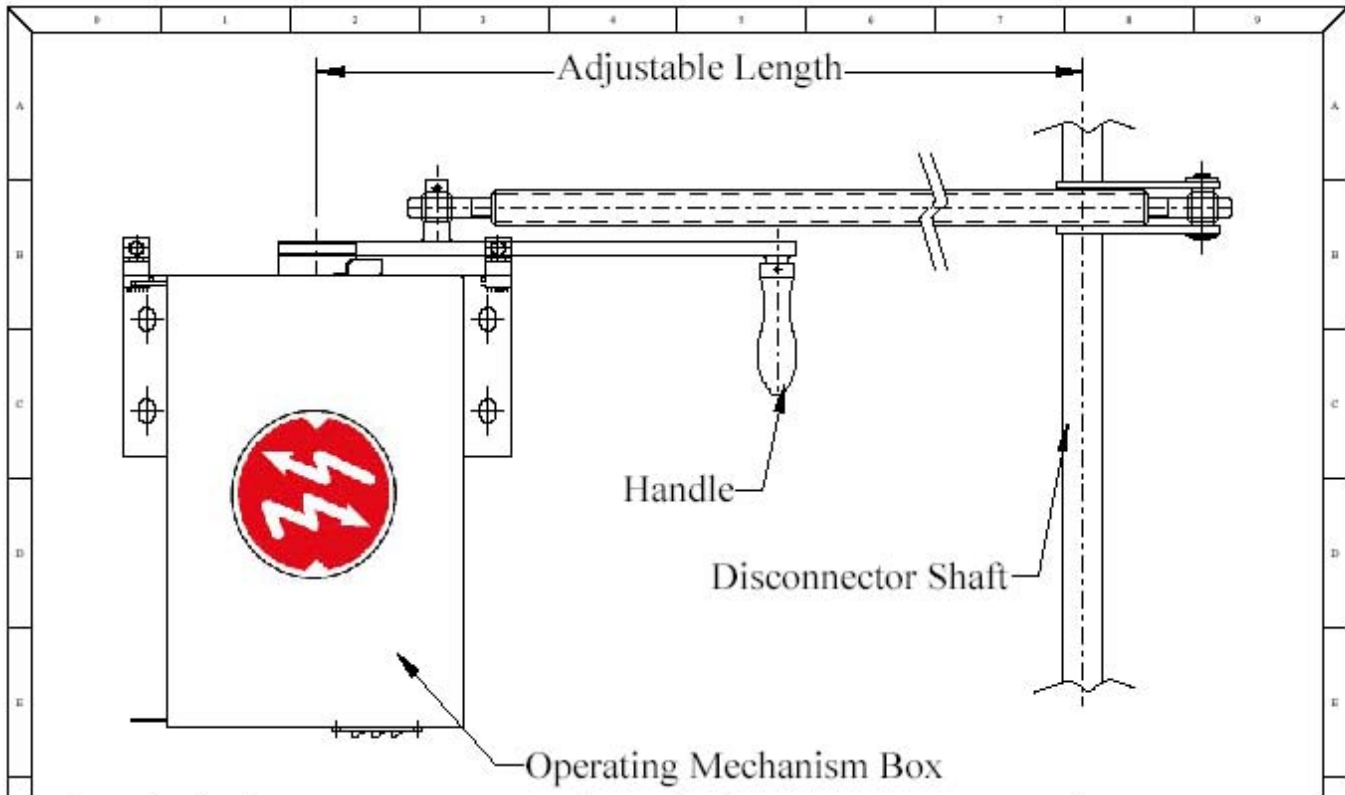
| | |
|----|----------------------|
| 11 | Cover |
| 10 | Handle |
| 9 | Electromechanic Coil |
| 8 | Heater |
| 7 | Terminals |
| 6 | Thermostat |
| 5 | Auxiliary Switches |
| 4 | Torque hexagon |
| 3 | Internal View |
| 2 | Fixation holes Plate |
| 1 | Box Assembly |
| ID | DESCRIPTION |

| Rev. | Date | Drawn | Check | Modification |
|------|----------|-------|-------|----------------|
| 1 | 18/05/02 | BA | CM | Drawing Update |
| 0 | 18/05/02 | BA | CM | First Issue |



Disconnector Operating Mechanism
Layout Drawing

| |
|---------------|
| Customer: |
| VRef: |
| GRG: |
| Dwg nb.: TDOM |
| Sheet: 1 of 2 |



Operating Mechanism Box



all dimensions in mm

SENERJI

| | |
|-----------|-----|
| Customer: | |
| V.Ref: | |
| G.Ref: | |
| Draw. n.: | |
| Sheet: | of: |

| Rev. | Date | Drawn | Check | Modification |
|------|------|-------|-------|--------------|
| | | | | |
| | | | | |
| | | | | |