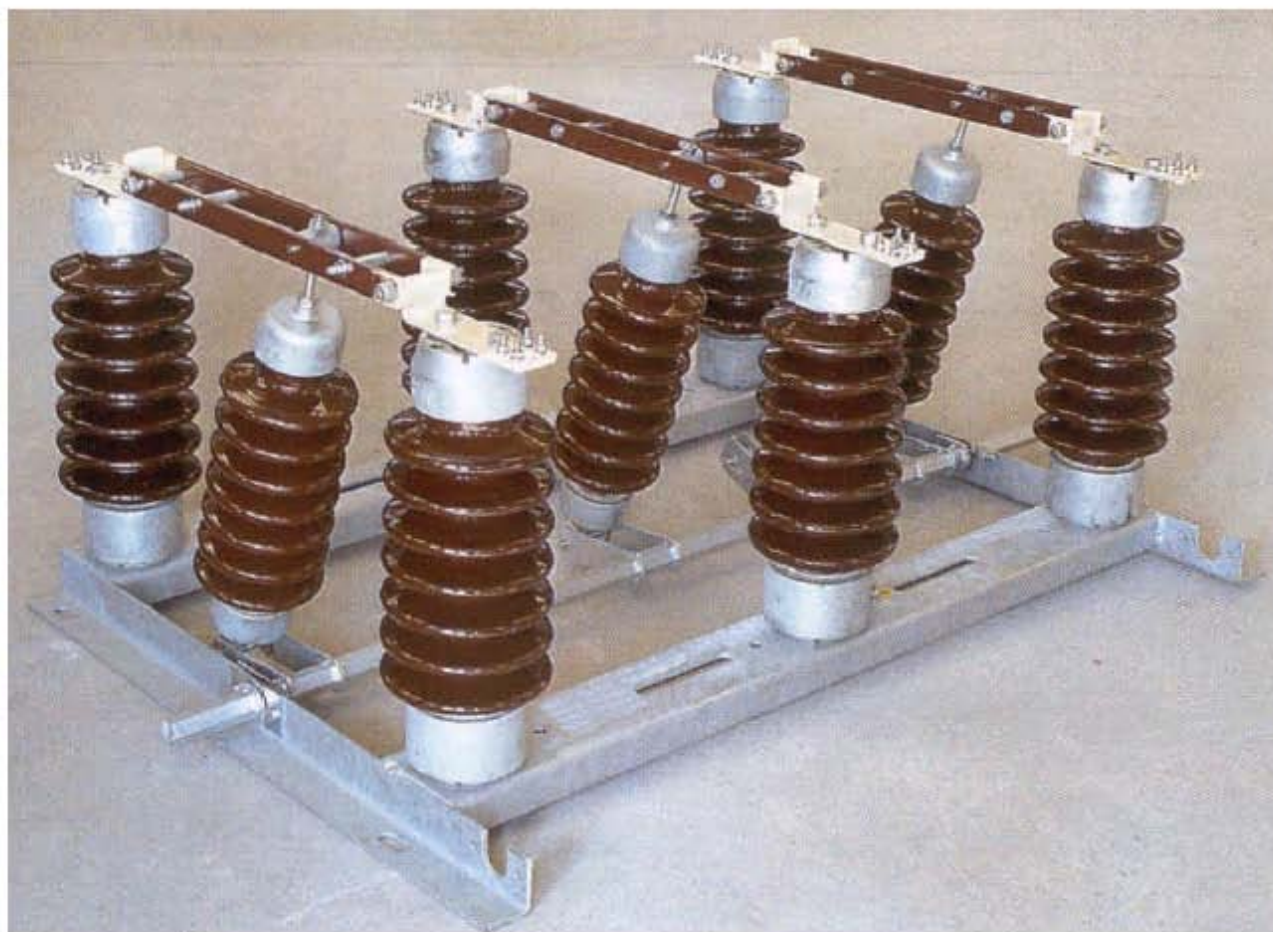




SENERJI

THREE-POLE OUTDOOR DISCONNECTOR

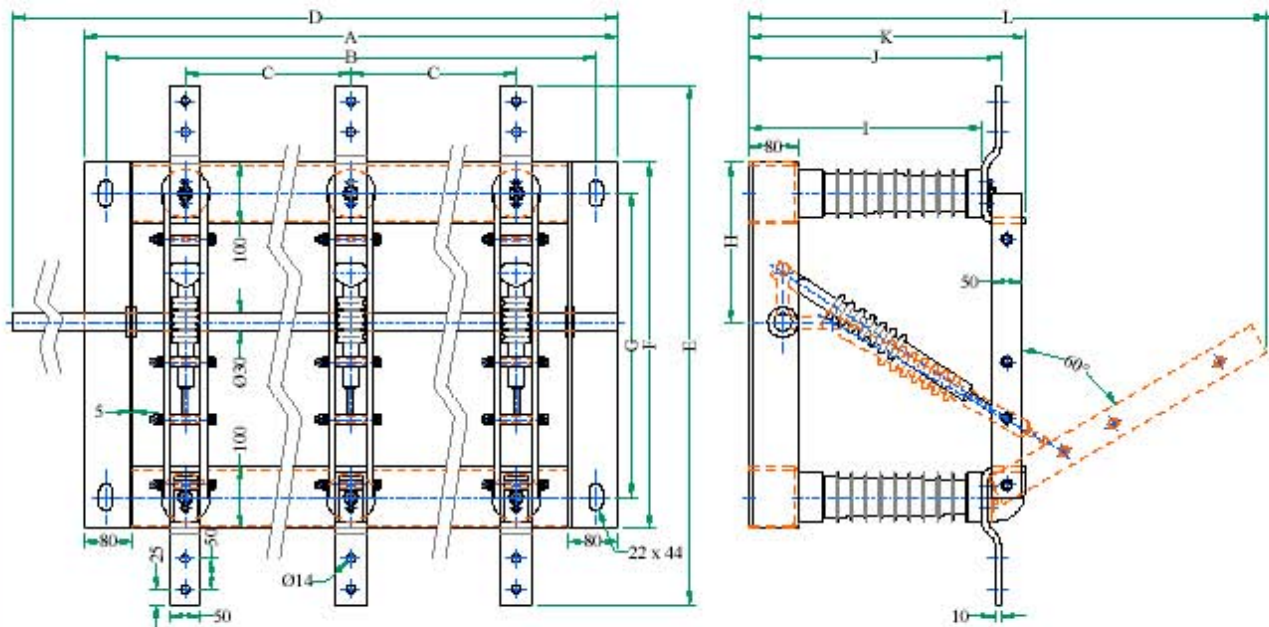


- ✓ *Designed to allow both vertical and horizontal mounting*
- ✓ *The twin sectioning blades and terminals are made of electrolytic copper. Terminals and contact surfaces of blades are silver plated.*
- ✓ *The framework is made of 5mm steel and electro-galvanized or hot dip galvanized*

SENERJI reserves all rights in this document and in the information contained therein. Any data contained therein may be changed without further notice. Reproduction, use or disclosure to third parties without express authority is strictly forbidden.



SENERJI



ELECTRICAL DATA

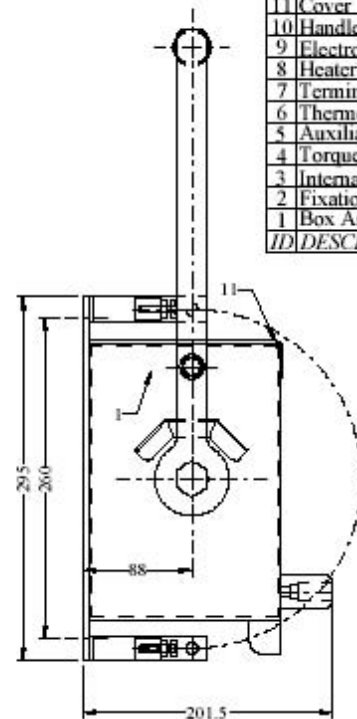
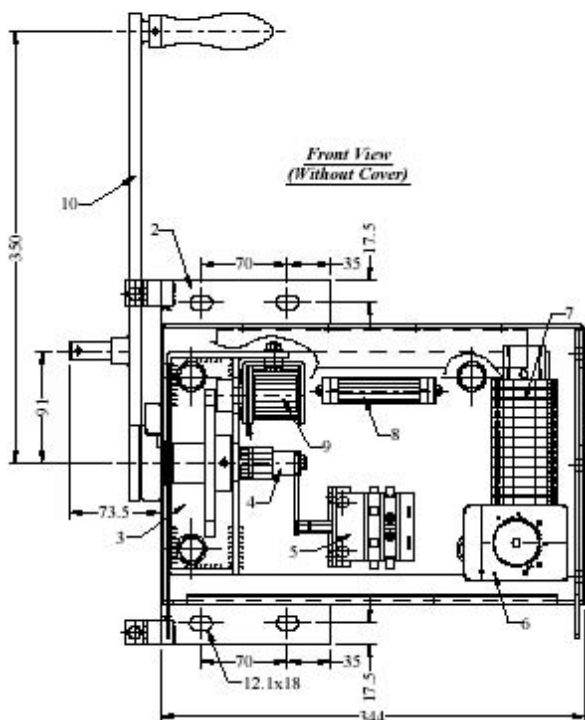
Type	Rated Voltage (kV)	Rated Current (A)	Short-Time Current (kA / 3sec)
TPOD-12	12 kV	630 or 1250	20, 25 or 31.5 kA/3sec
TPOD-24	24 kV		
TPOD-36	36 kV		

MECHANICAL DATA

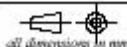
Type	Dimensions (mm)												Weight (kg)
	A	B	C	D	E	F	G	H	I	J	K	L	
TPOD-12	1065	995	400	1350	760	510	410	245	210	240	280	600	84
TPOD-24	1260	1190	500	1630	970	720	620	452	290	320	360	860	116
TPOD-36	1520	1450	630	1720	1030	780	680	480	380	410	450	1000	147

OPTIONS

- ✓ Fuse along with Fuse holder
- ✓ Operating Mechanism Box including on demand:
 - ✦ Auxiliary Contacts Block (up to 12 N.O. & 12 N.C.)
 - ✦ Motorized Operation (48... 110V_{dc} / 220V_{ac})
 - ✦ Electromagnetic Interlock (48... 110V_{dc} / 220V_{ac})



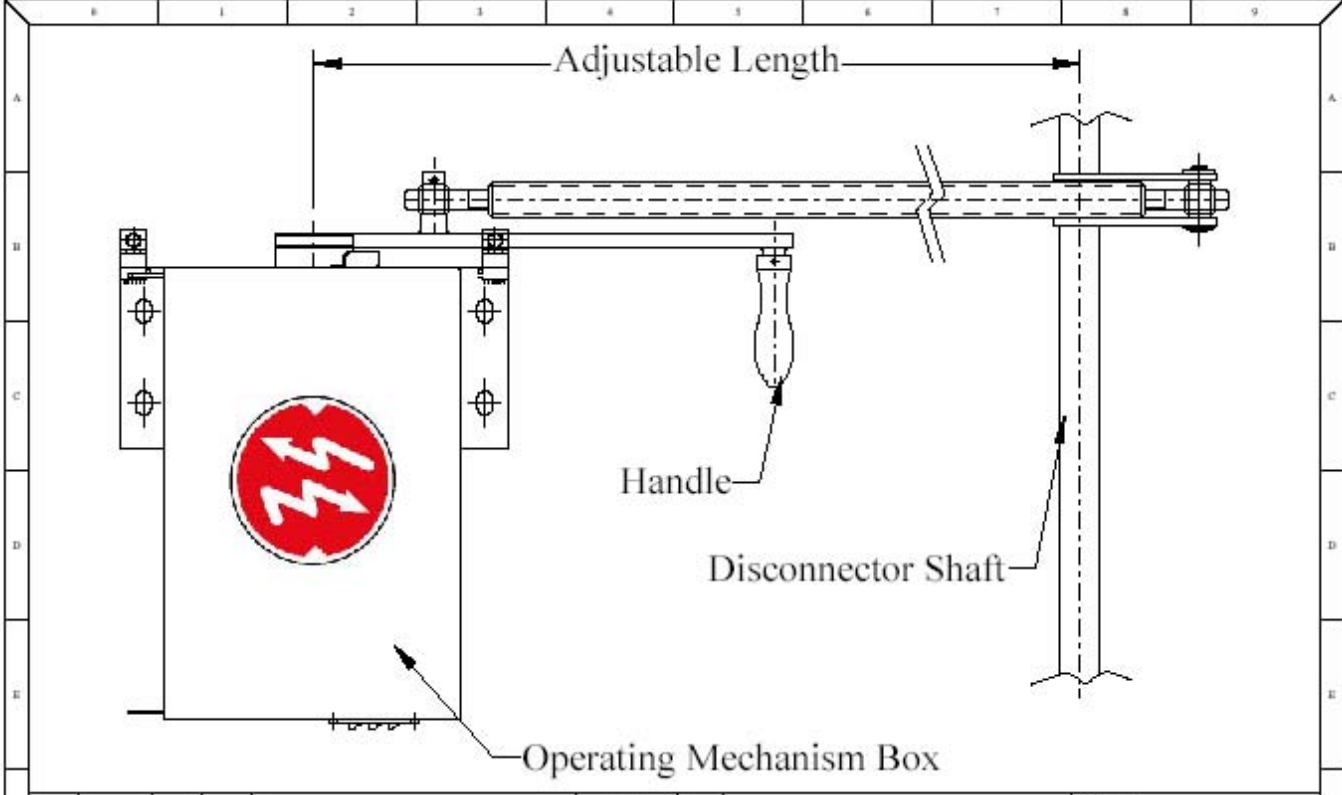
11	Cover
10	Handle
9	Electromechanic Coil
8	Heater
7	Terminals
6	Thermostat
5	Auxiliary Switches
4	Torque hexagon
3	Internal View
2	Fixation holes Plate
1	Box Assembly
ID	DESCRIPTION




Rev.	Date	Drawn	Check	Modification
1	18/05/02	BA	CM	Drawing Update
0	18/05/02	BA	CM	First Issue

Disconnector Operating Mechanism
Layout Drawing

Customer:
TRef:
DRG:
Dwg nb.: TD0M
Sheet: 1 of 2



					 <i>all dimensions in mm</i>	Customer:
						V Ref.:
					SENERJI	G Ref.:
						Dwg. no.:
						Sheet: of:
Rev.	Date	Drawn	Check	Modification		