



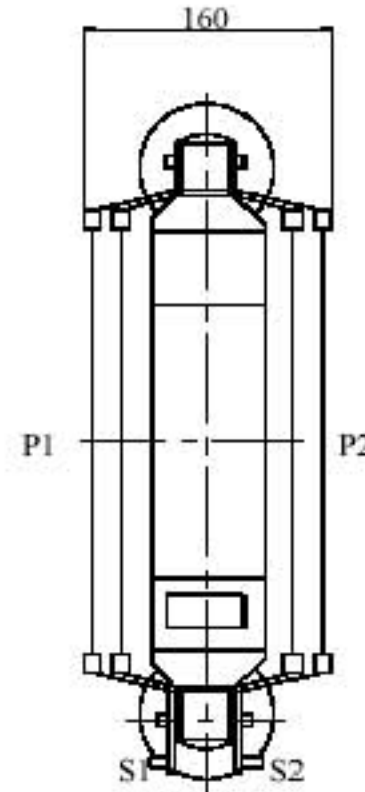
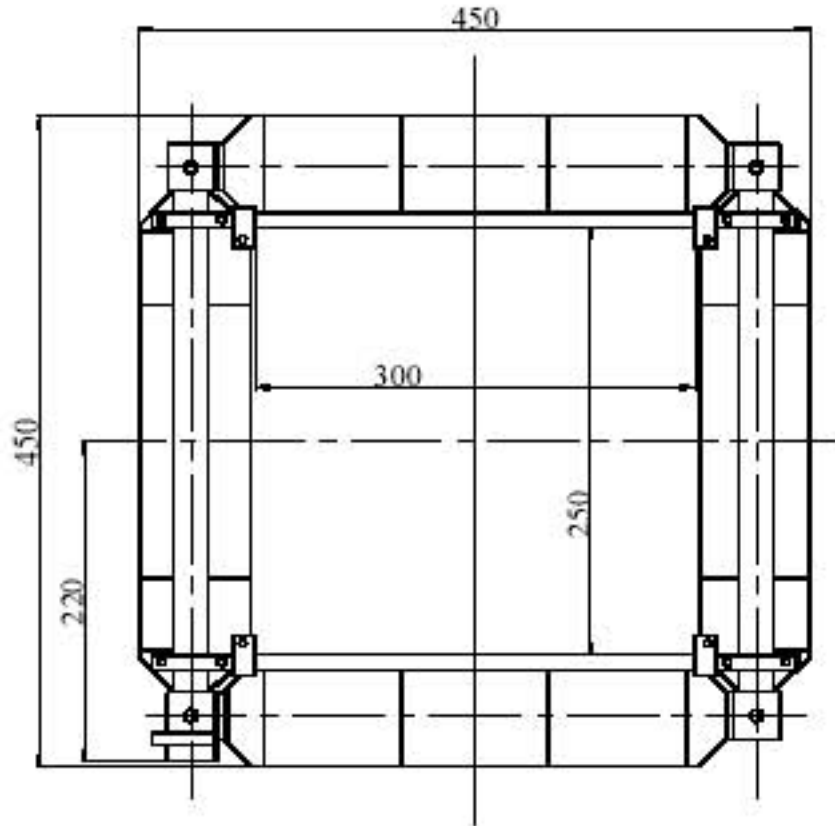
# TYPE: AG06-15

## Indoor, Current Transformer

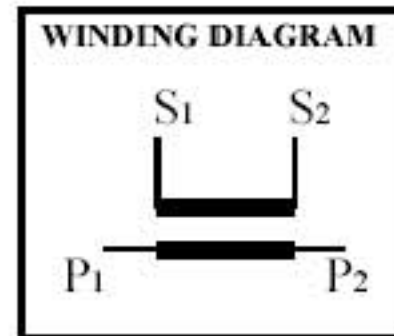
### 0.72 kV , f = 50-60 Hz



Catalogue No: AG06-2005



Type	AG-06
Rated Insulation Level(kV)	0,72 / 3
Primary Current (A)	10000 – 15000
Secondary Current (A)	5
Accuracy Class Measuring Protection	0,5 – 1
Burden (VA)	5 – 10
Weight (kg)	22
Primary Connection	See winding diagram



#### RATED NAME PLATE

SHD ISTANBUL / TURKIYE

INDOOR CURRENT TRANSFORMER

TYPE : AG - 06 IL: 0,72 / 3 kV

Serial No: 2005 / IEC 60044.1

RATIO : 15000 / 5 A/A

50 Hz.

P<sub>1</sub> – P<sub>2</sub> : 15000 A

S<sub>1</sub> – S<sub>2</sub> : 5 A

Class: 0,5 – Burden: 5 VA

-All dimensions in mm.

-Senerji reserves the rights to change the dimensions of the products



# SENERJİ

ISTANBUL / TURKIYE

Address: Büyükdere Cd. No:159/12 Zincirlikuyu - ISTANBUL / TURKIYE

Tel: +90 212 356 21 12 Fax: +90 212 356 21 11

WEB: [www.senerjieng.com](http://www.senerjieng.com) Mail: [info@senerjieng.com](mailto:info@senerjieng.com)