



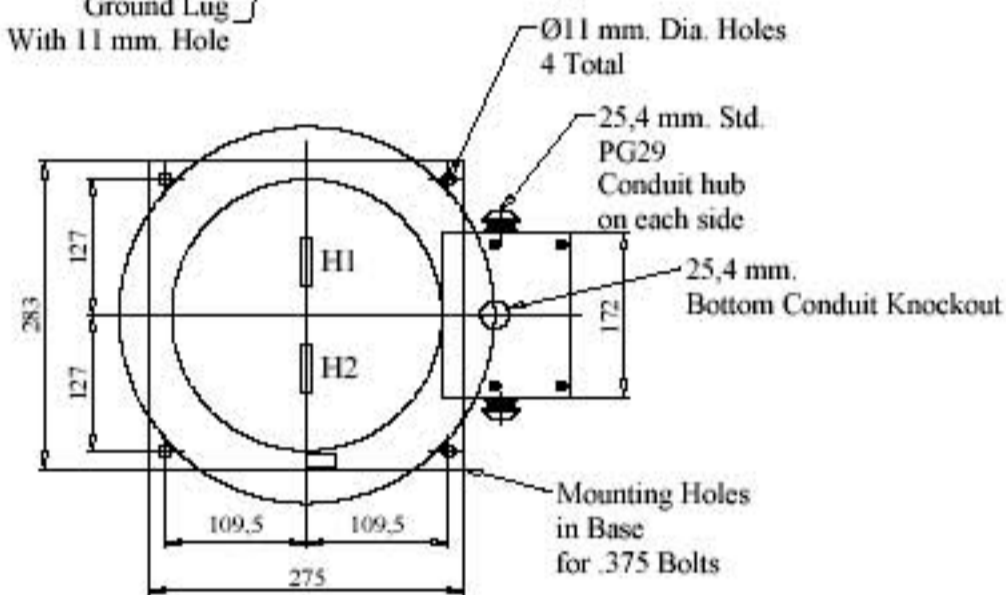
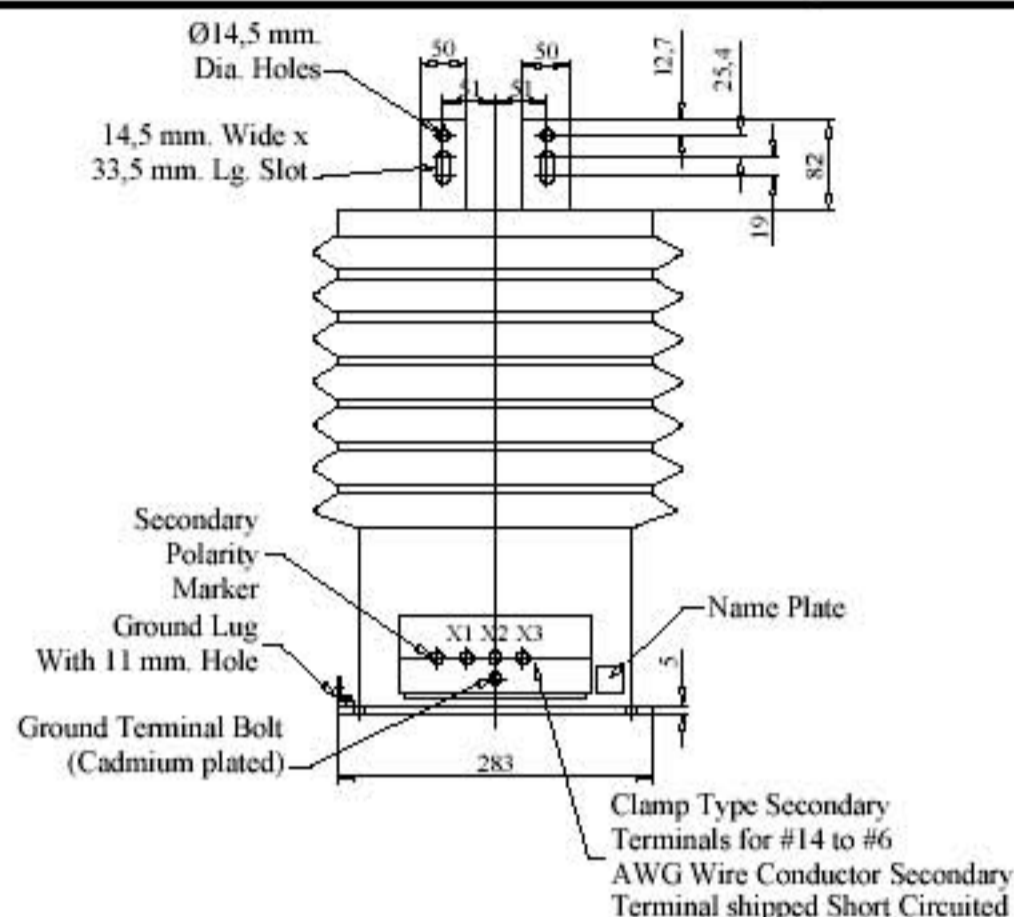
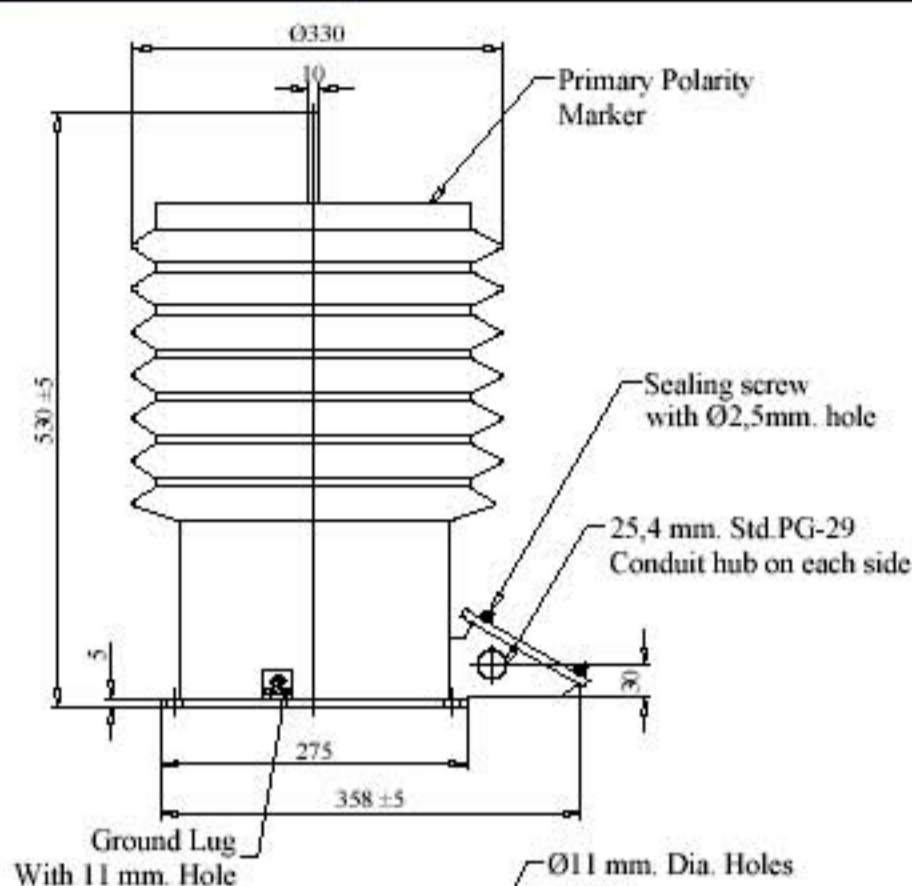
# TYPE: ATR-30HR

## Outdoor, Cast-Resin Insulated Supporting Type Current Transformers

### f= 50-60 Hz. ANSI C57.13

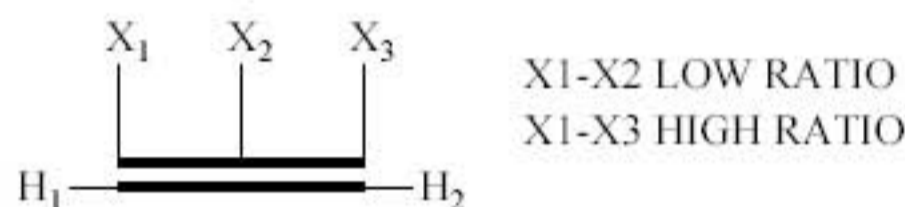


Catalogue No:ATR-30HR-2004



#### WINDING DIAGRAM

Connection Diagram for Double Ratio:



Double Ratio With taps in secondary windings

#### RATED NAME PLATE

**OUTDOOR CURRENT TRANSFORMER**  
 TYPE : ATR-30HR BIL: 200 kV  
 Serial No : 2004 / MSV: 34,5 kV  
 RATIO : 150 - 300 / 5 A/A ANSI C57.13  
 $H_1 - H_2$ : 150-300 50 Hz.  
 $X_1 - X_2$ : 150/5 Insulation Class: E  
 $X_1 - X_3$ : 300/5 lth: 30 kA / 1 sec.  
 Cl: 0,3 Burden: B-2.0 RCF: 2xln

Type	ATR-30HR
Rated Insulation Level(kV)	BIL 200
Primary Current (A)	100 - 200, 150 - 300
Secondary Current (A)	5
Accuracy Class	0.3
Cont. Rt. Cur. Fak. (RCF)	$2 \times I_N$
Burden	B - 2,0
Thermal Current (Ith)	Max. 30 kA / 1 sec. (max. For 150-300) Max. 20 kA / 1 sec. (max. For 100-200)
Creepage Distance (mm)	900
Weight (kg)	70
Ratio Connection	- Double ratio with taps in secondary windings

-All dimensions in mm.

-Senerji reserves the rights to change the dimensions of the products



Address: Büyükdere Cd. No:159/12 Zincirlikuyu - ISTANBUL / TURKIYE  
 Tel: +90 212 356 21 12 Fax: +90 212 356 21 11  
 WEB: www.senerjieng.com Mail: info@senerjieng.com