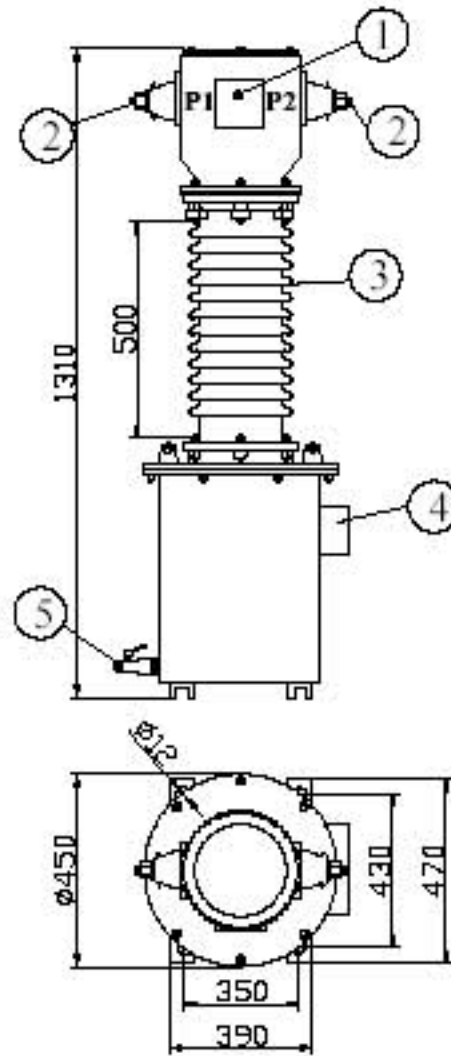




**TYPE ATR-30 HY
OUTDOOR, POST TYPE CURRENT
TRANSFORMERS WITH PORCELAIN BUSHING OIL
IMMERSED**
f = 50-60 Hz



Catalogue No: ATR-30HY-2004



- 1- Oil Level Indicator
- 2- Primary Terminals
- 3- Porcelain Insulator
- 4- Secondary Terminals M6 (Double Ratio with taps in secondary windings)
- 5- Oil Unloading Gate

The transformers have high qualities at outdoor conditions.

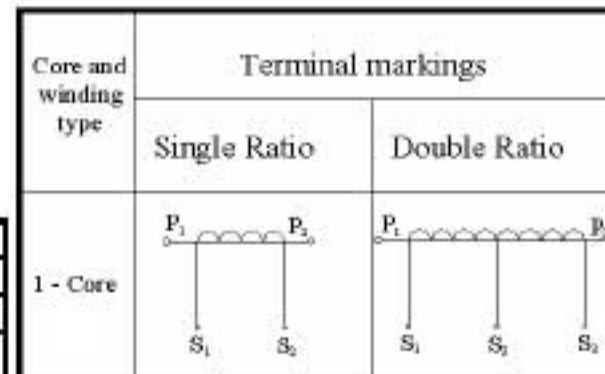
Insulation paper and Transformer oil are used as insulation materials which have high qualities.

Oil filling process is realized under the heat and vacuum cycle.

Transformers have oil expansion box for oil expanding, and observation window.

Products are manufactured according to IEC44-1

WINDING DIAGRAM



Rated Name Plate

OUTDOOR CURRENT TRANSFORMER		
TYPE	: ATR-30HY	IL: 36 / 70 / 170kV
Serial No	: 2005 /	Ith: 20 kA / 1sec
RATIO	: 200-400/5 (A/A)	Total weight: 110 kg Oil weight: 35 kg
	S1-S2 S1-S3	
	200/5 400/5	
Cl: 0,5	Burden: 30 VA	IEC - 60044.1

Type	ATR-30 HY	
Highest Voltage (KV)	24	36
Insulation Level (KV)	24 / 50 / 125	36 / 70 / 170
Primary Current Terminal Marking (A)	5...1000 or 2x5...2x400 P1 - P2	
Secondary Current Terminal Marking (A)	1 or 2 or 5 S1 - S2 or S1 - S2 - S3	
Accuracy Class	Measuring	Protection
	0,5 - 1	5P -10P
Limit Factor	Measuring	Protection
	Fs5	10 - 20
Burden	30	30
Rated Short Time Thermal Current (Ith)	20 kA / 1sec.	
Creepage Distance (mm)	1000	
Weight (kg)	= 110	

-All dimensions in mm.

-Senerji reserves the rights to change the dimensions of the products



Address: Büyükdere Cd. No:159/12 Zincirlikuyu - ISTANBUL / TURKIYE

Tel: +90 212 356 21 12 Fax: +90 212 356 21 11

WEB: www.senerjieng.com Mail: info@senerjieng.com