



TYPE: BAT-20

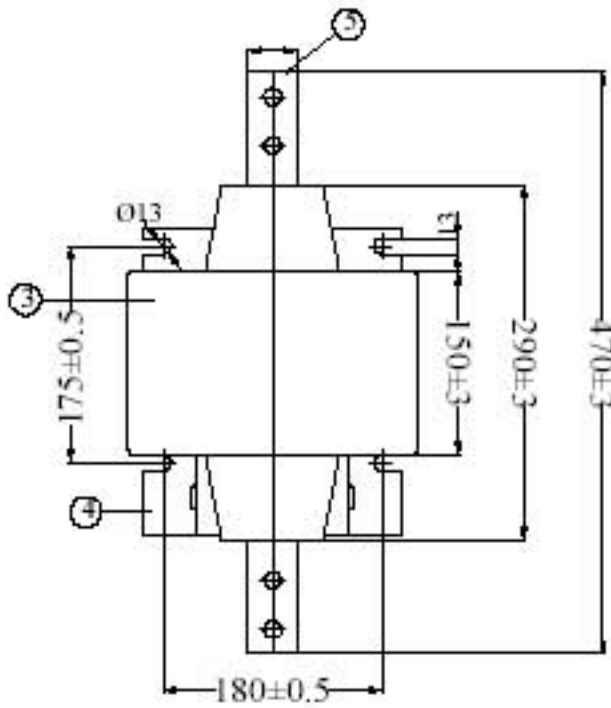
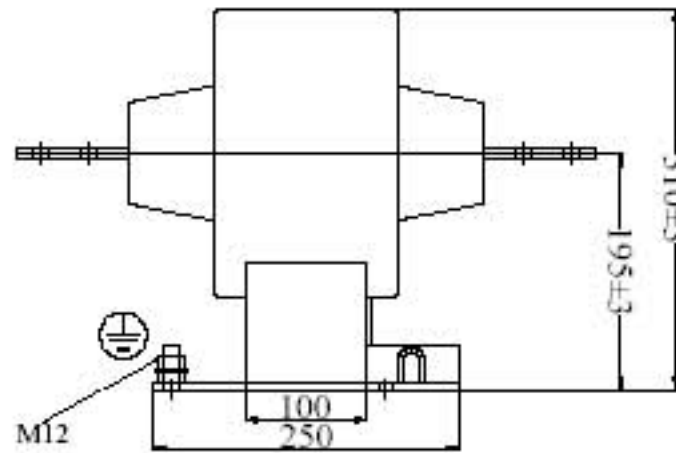
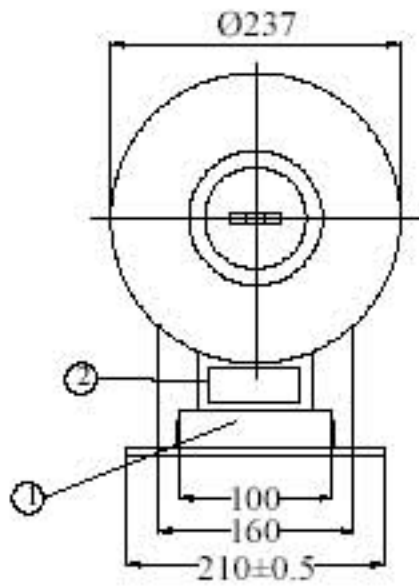
Busbar Type Current Transformers

Indoor, Cast-Resin Insulated

$f = 50-60 \text{ Hz.}$

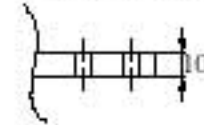


Catalogue No: BAT-20-05

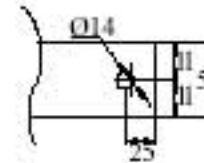


- 1-Secondary terminal box (Terminal size M6)
 - 2-Rating plate
 - 3-Cast resin body
 - 4-Base plate
 - 5-Primary Terminals
- (See Primary Terminal Details)

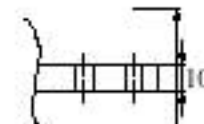
PRIMARY TERMINALS



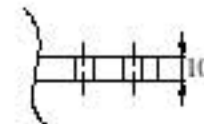
Max. 600 A



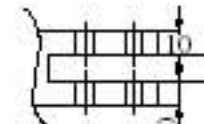
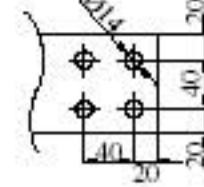
800 - 1200 A



1250 - 1500 A



2000 - 3000 A



Type	BAT-20	
Rated Insulation Level (kV)	12 / 28 / 75 or 24 / 50 / 125	
Primary Current (A)	(A)	400...3000
Secondary Current (A)	(A)	1 or 5
Accuracy Class	0.5 Fs - 1 Fs - 0.5M5 - 1M5	
Measuring Protection	5P - 10P	
Limit Factor	5	
Measuring Protection	10-20	
Burden (VA)	(VA)	10 - 15 - 30
Thermal Current I _{th}	Max. 100 kA. (1 Sec.)	
Weight (kg)	25 - 30	

WINDING DIAGRAM

Core and winding type	Terminal markings	
	Single ratio	Double ratio
1-core		
2-core		

-All dimensions in mm.

-Senerji reserves the rights to change the dimensions of the products



Address: Büyükdere Cd. No:159/12 Zincirlikuyu - İSTANBUL / TÜRKİYE
 Tel: +90 212 356 21 12 Fax: +90 212 356 21 11
 WEB: www.senerjieng.com Mail: info@senerjieng.com