



CAPACITIVE SUPPORTING INSULATOR (VOLTAGE DETECTOR) INDOOR TYPE, EPOXY-RESIN INSULATED $U_m = 12 - 17,5 - 24 - 36 \text{ kV}$



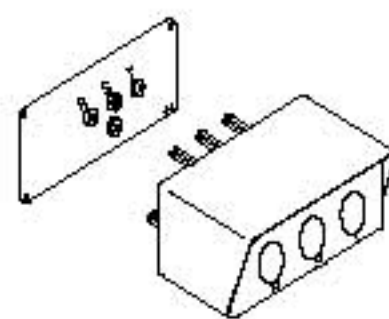
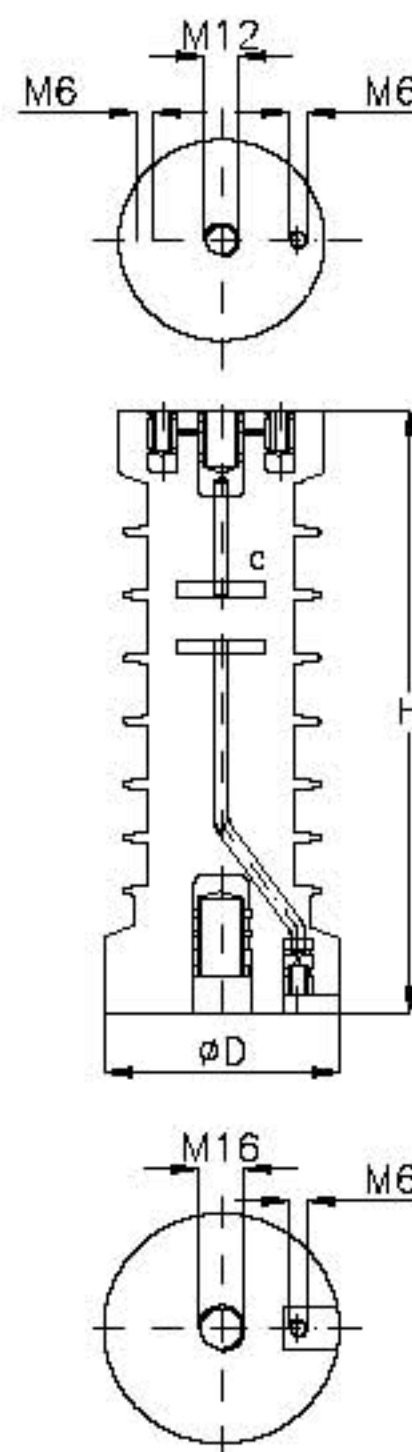
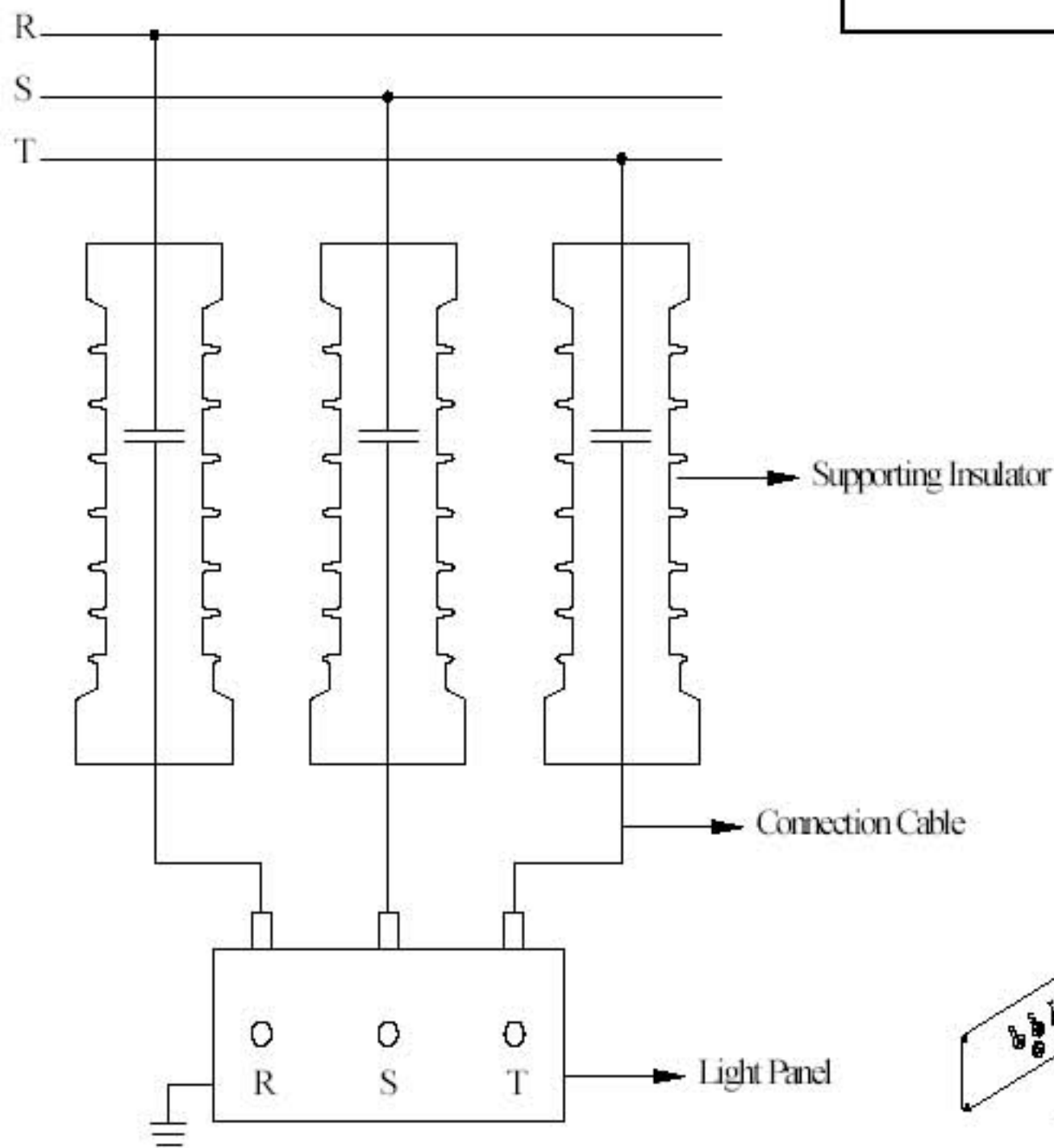
Katalog : KVD- 2005

Introduction of Voltage Detector

Voltage Detector has voltage detection device built in the epoxy mold insulator. It is easily checked whether the line is alive because minimal voltage can be detected by voltage can be detected by Voltage Detector. Remote monitoring of hot-line can be available by fitment of amplifier to Voltage Detector

Principle of Voltage Detector

The principle of Voltage Detector is potential division method by electrostatic capacity. Epoxy mold bushing is functioned as insulator. Lamp will be lighted by adjustment of voltage. Thus, it can be checked whether the line is alive. Voltage Detector is functioned as supporting insulator. Thus, insulation characteristic such as impulse wave withstand, rated power frequency withstand voltage, tensile strength, partial discharge, etc are successfully guaranteed.



Type	Rated Voltage U_m (kV)	P. F. Withstand Voltage (for 1 min.) (kV)	Impulse withstand voltage (kV)	Breaking strength kgf (N)	Creepage distance (mm.)	Capacitance C (pF)	Dimensions (mm.)		Weight (kg.)
							D	H	
J08-75K	12	28	75	800(8000)	185	20±%10	77	130	1,000
J08-95K	17,5	38	95	800(8000)	220	20±%10	80	175	1,400
J08-125K	24	50	125	800(8000)	300	20±%10	80	210	1,500
J08-170K	36	70	170	800(8000)	465	20±%10	97	300	3,200

-All dimensions in mm.

-Senerji reserves the rights to change the dimensions of the products



Address: Büyükdere Cd. No:159/12 Zincirlikuyu - İSTANBUL / TÜRKİYE
Tel: +90 212 356 21 12 Fax: +90 212 356 21 11
WEB: www.senerjieng.com Mail: info@senerjieng.com