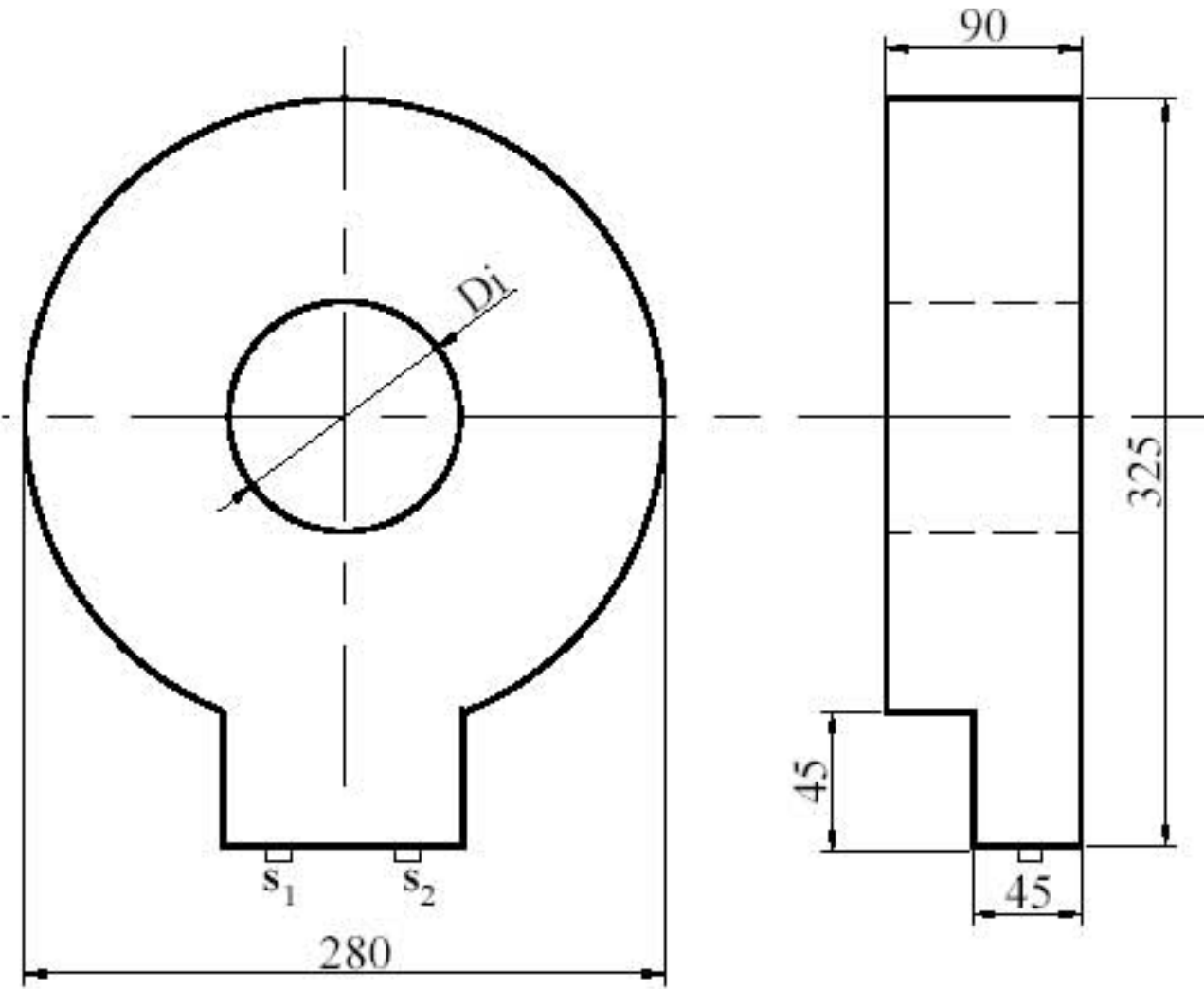




TYPE: CRV06
Bushing Type Current Transformers
Indoor, Cast-Resin Insulated
For low voltage up to 0.72 kV , f = 50-60 Hz



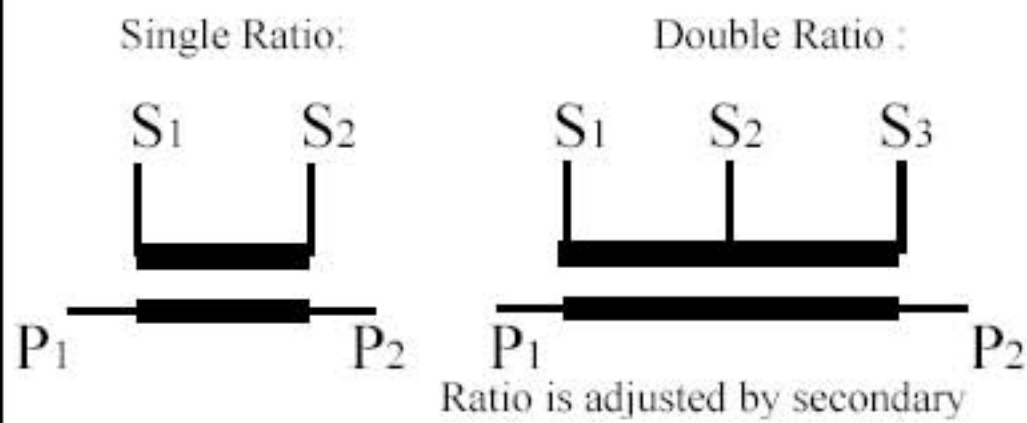
Catalogue No: CRV06-2005



Technical Data :

System Voltage (kV) :	0.72
Power frequency withstand voltage (kV) :	3
Secondary current (A) :	1-2-5
Rated short-time thermal current (Ith) :	100x In or 30 kA / 1 sec.
Rated dynamic current (Idyn) :	Practically unlimited

Connection Diagram :



RATIO	Accuracy Class	Burden (VA)	Di
20 / 1	5P20	1,25	Φ55
40 / 1	5P10	3	Φ55
	5P20	3	
50 / 1	5P10	3	Φ55
	5P20	3	
80 / 1	5P10	10	Φ55
	5P20	3	
100 / 1	5P10	10	Φ110
	5P20	3	

-All dimensions in mm.

-Senerji reserves the rights to change the dimensions of the products



Address: Büyükdere Cd. No:159/12 Zincirlikuyu - İSTANBUL / TÜRKİYE
 Tel: +90 212 356 21 12 Fax: +90 212 356 21 11
 WEB: www.senerjieng.com Mail: info@senerjieng.com