



TYPE: GBT-10

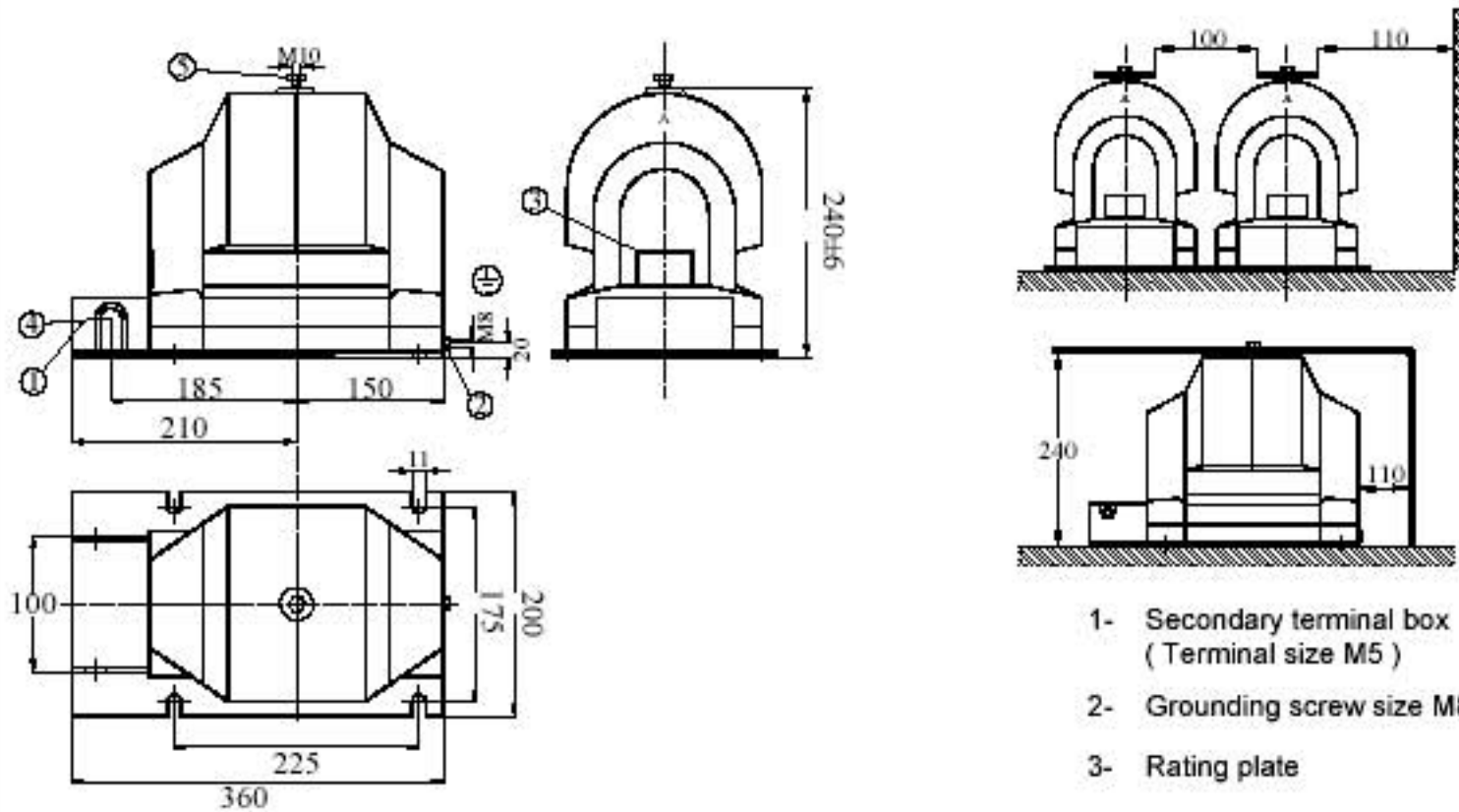
Indoor, Cast-Resin Insulated

Single-pole Voltage Transformers

f = 50-60 Hz. DIN42600, Blatt 3, IEC 60044-2



Catalogue No: GBT10-2005



- 1- Secondary terminal box (Terminal size M5)
- 2- Grounding screw size M8
- 3- Rating plate
- 4- Cable glands (2 removable rubber stoppers)
- 5- Primary terminals

Primary Voltage (V)	Secondary Voltage (V)	Accuracy Class	Burden (VA)	Thermal Limiting Output (VA)	Weight (kg)
3000 / $\sqrt{3}$	100 / $\sqrt{3}$ 110 / $\sqrt{3}$ or 100 / 3 110 / 3	0.2	15 30	500	30 - 32
5000 / $\sqrt{3}$					
6000 / $\sqrt{3}$					
6300 / $\sqrt{3}$		0.5	60-90		
10000 / $\sqrt{3}$					
11000 / $\sqrt{3}$					
12600 / $\sqrt{3}$	1.0	60-90-120			

Rated insulation level : 12 / 28 / 75 kV or 17.5 / 38 / 95 kV

Rated Voltage Factor : 1.2 x U_N Continuous or

1.2 x U_N Continuous and 1.9 x U_N 8h. or 1.9x U_N 30 sec.

The cantilever strenght > 5000 N

-All dimensions in mm.

-Senerji reserves the rights to change the dimensions of the products



SENERJİ

ISTANBUL / TURKIYE

Address: Büyükdere Cd. No:159/12 Zincirlikuyu - ISTANBUL / TURKIYE

Tel: +90 212 356 21 12 Fax: +90 212 356 21 11

WEB: www.senerjieng.com Mail: info@senerjieng.com