



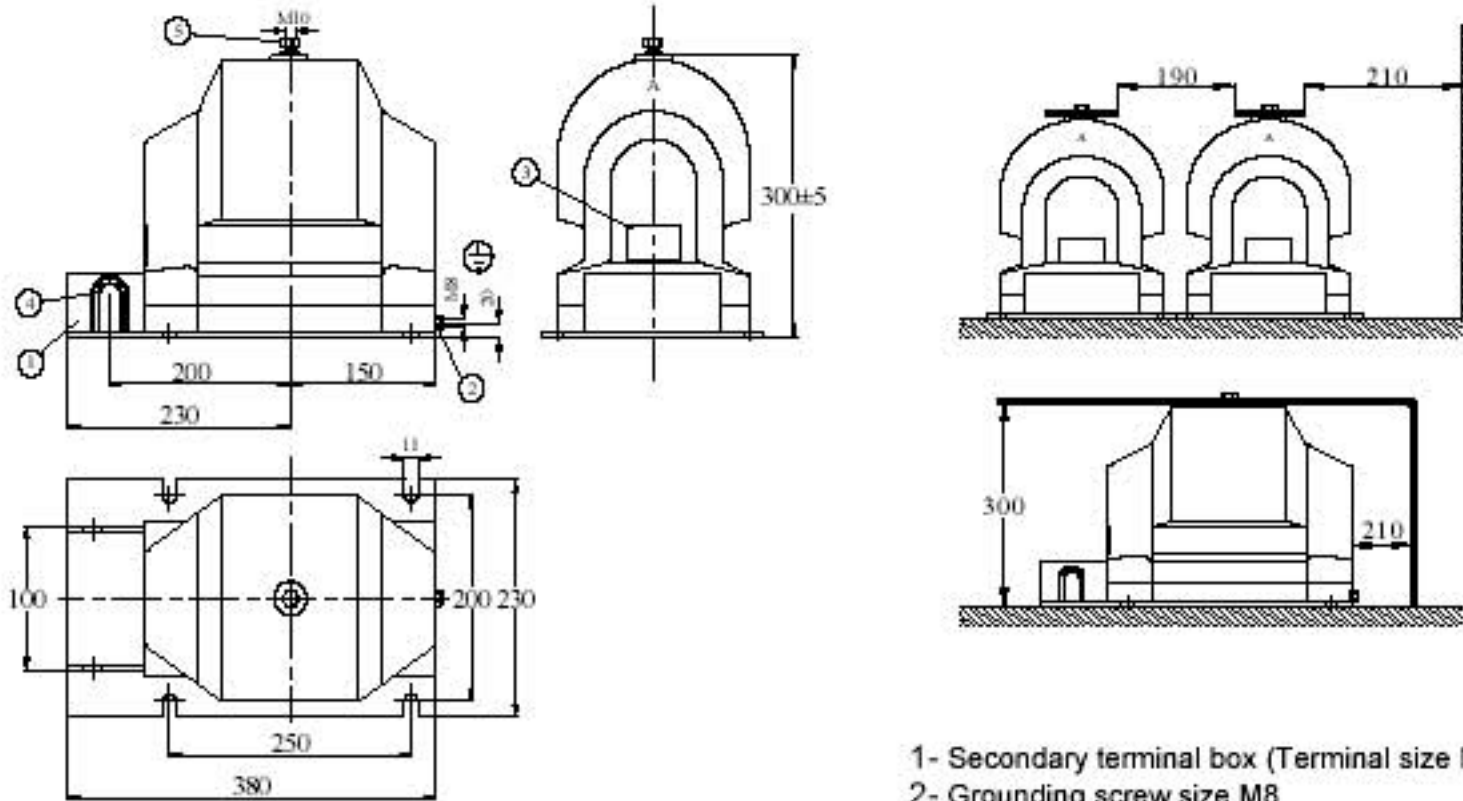
TYPE: GBT-20

Indoor, Cast-Resin Insulated

Single-pole Voltage Transformers

f = 50-60 Hz. DIN42600, Blatt 3, IEC 60044-2

Catalogue No: GBT20 / 2005



- 1- Secondary terminal box (Terminal size M5)
- 2- Grounding screw size M8
- 3- Rating plate
- 4- Cable glands (2 removable rubber stoppers)
- 5- Primary terminals

Primary Voltage (V)	Secondary Voltage (V)	Accuracy Class	Burden (VA)	Thermal Limiting Output (VA)	Weight (kg)
13200 / $\sqrt{3}$	100 / $\sqrt{3}$	0.2	15	500	38 - 40
15000 / $\sqrt{3}$	110 / $\sqrt{3}$		30		
20000 / $\sqrt{3}$	or		50		
22000 / $\sqrt{3}$	100 / 3	0.5	90		
	110 / 3	1.0	100		
			150		

Rated insulation level : 17.5 / 38 / 95 kV (for 13200 – 15000 V)
 24 / 50 / 125 kV (for 20000 – 22000 V)

Rated Voltage Factor : 1.2 x U_N Continuous or
 1.2 x U_N Continuous and 1.9 x U_N 8 hr. or 1.9x U_N 30 sec.

The cantilever strenght > 5000 N

-All dimensions in mm.

-Senerji reserves the rights to change the dimensions of the products



SENERJİ

ISTANBUL / TURKIYE

Address: Büyükdere Cd. No:159/12 Zincirlikuyu - ISTANBUL / TURKIYE

Tel: +90 212 356 21 12 Fax: +90 212 356 21 11

WEB: www.senerjieng.com Mail: info@senerjieng.com