



TYPE: GBT-30

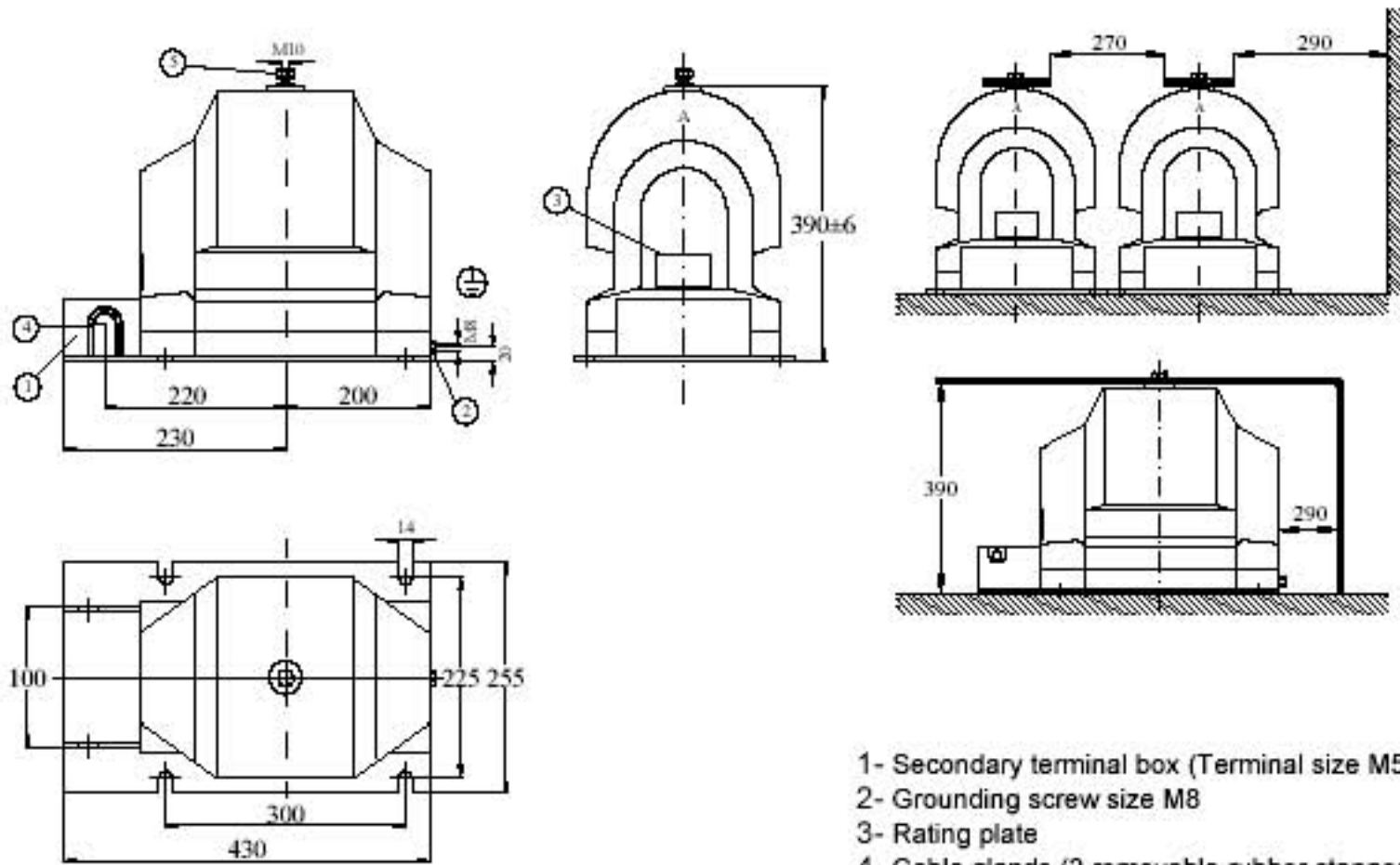
Indoor, Cast-Resin Insulated

Single-pole Voltage Transformers

f = 50-60 Hz. DIN42600, Blatt 3, IEC 60044-2



Catalogue No: GBT-30-2005



- 1- Secondary terminal box (Terminal size M5)
- 2- Grounding screw size M8
- 3- Rating plate
- 4- Cable glands (2 removable rubber stoppers)
- 5- Primary terminals

Primary Voltage (V)	Secondary Voltage (V)	Accuracy Class	Burden (VA)	Thermal Limiting Output (VA)	Weight (kg)
25000 / $\sqrt{3}$	100 / $\sqrt{3}$	0.2	15	600	52- 55
30000 / $\sqrt{3}$	110 / $\sqrt{3}$		30		
31500 / $\sqrt{3}$	or	0.5	50		
33000 / $\sqrt{3}$	100 / 3		90		
35000 / $\sqrt{3}$	110 / 3	1.0	100		
			150		

Rated insulation level : 36 / 70 / 170 kV

Rated Voltage Factor : 1.2 x U_N Continuous

1.2 x U_N Continuous and 1.9 x U_N 30 sec. or 1.9 x U_N 8h

The cantilever strenght > 5000 N

-All dimensions in mm.

-Senerji reserves the rights to change the dimensions of the products



SENERJİ

ISTANBUL / TURKIYE

Address: Büyükdere Cd. No:159/12 Zincirlikuyu - ISTANBUL / TURKIYE

Tel: +90 212 356 21 12 Fax: +90 212 356 21 11

WEB: www.senerjieng.com Mail: info@senerjieng.com