

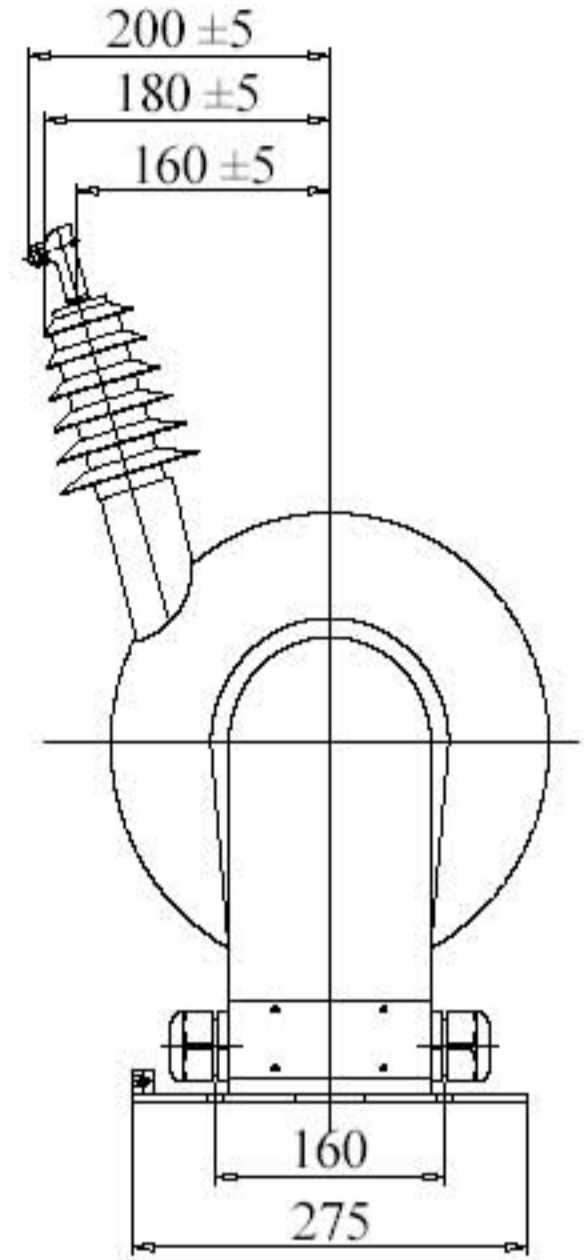
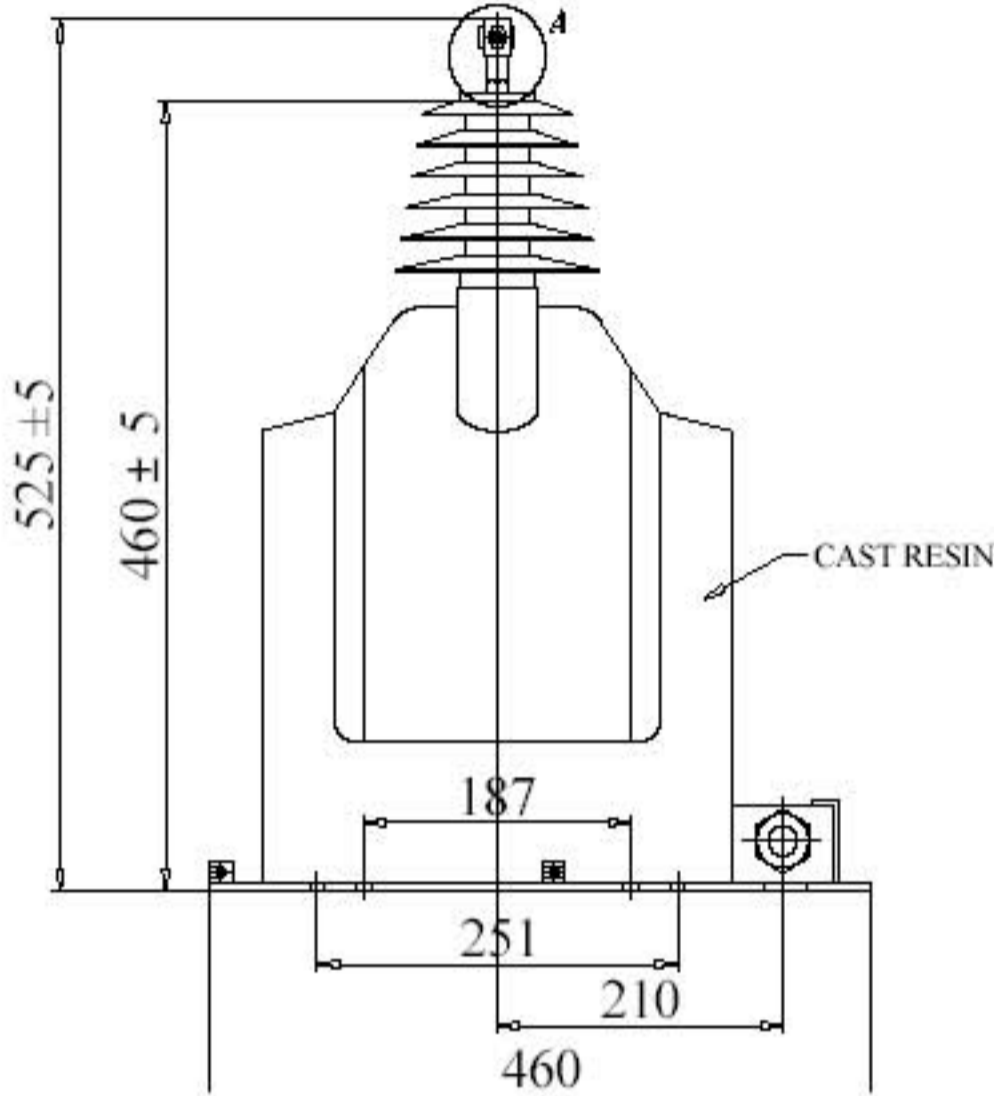


TYPE GTR-20 HR OUTDOOR, CAST RESIN INSULATED SINGLE POLE VOLTAGE TRANSFORMERS

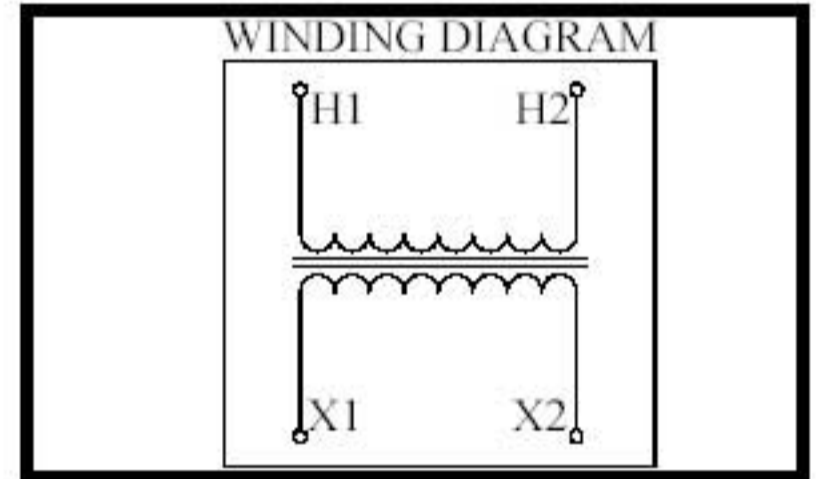
f = 50-60 Hz ANSI C57.13



Catalogue No: GTR20-HR - 2004



Type	GTR-20 HR	
Rated Insulation level	BIL - 110	
Highest Voltage	(kV)	15
Primary Voltage	(kV)	6,35
Terminal Marking	H1- H2	
Secondary Voltage	(V)	240
Terminal Marking	X1 - X2	
Accuracy Class	0,3	
Burden	(VA)	Z
Thermal Burden	(VA)	500
Creepage Distance	(mm)	600
Weight	(kg)	≅ 60



RATED NAME PLATE

SHD ISTANBUL / TURKIYE
OUTDOOR VOLTAGE TRANSFORMER

TYPE : GTR- 20HR	BIL: 110 kV
Serial No : 2004 /	MSV: 15 kV
RATIO : 6350 / 240 V/V	ANSI C57.13
H ₁ - H ₂ : 6350 V	50 Hz.
X ₁ - X ₂ : 240 V	Insulation Class: E
Cl : 0,3	Thermal Buden:500 VA
Burden: Z (200 VA)	

-All dimensions in mm.

-Senerji reserves the rights to change the dimensions of the products



SENERJİ

ISTANBUL / TURKIYE

Address: Büyükdere Cd. No:159/12 Zincirlikuyu - ISTANBUL / TURKIYE

Tel: +90 212 356 21 12 Fax: +90 212 356 21 11

WEB: www.senerjieng.com Mail: info@senerjieng.com