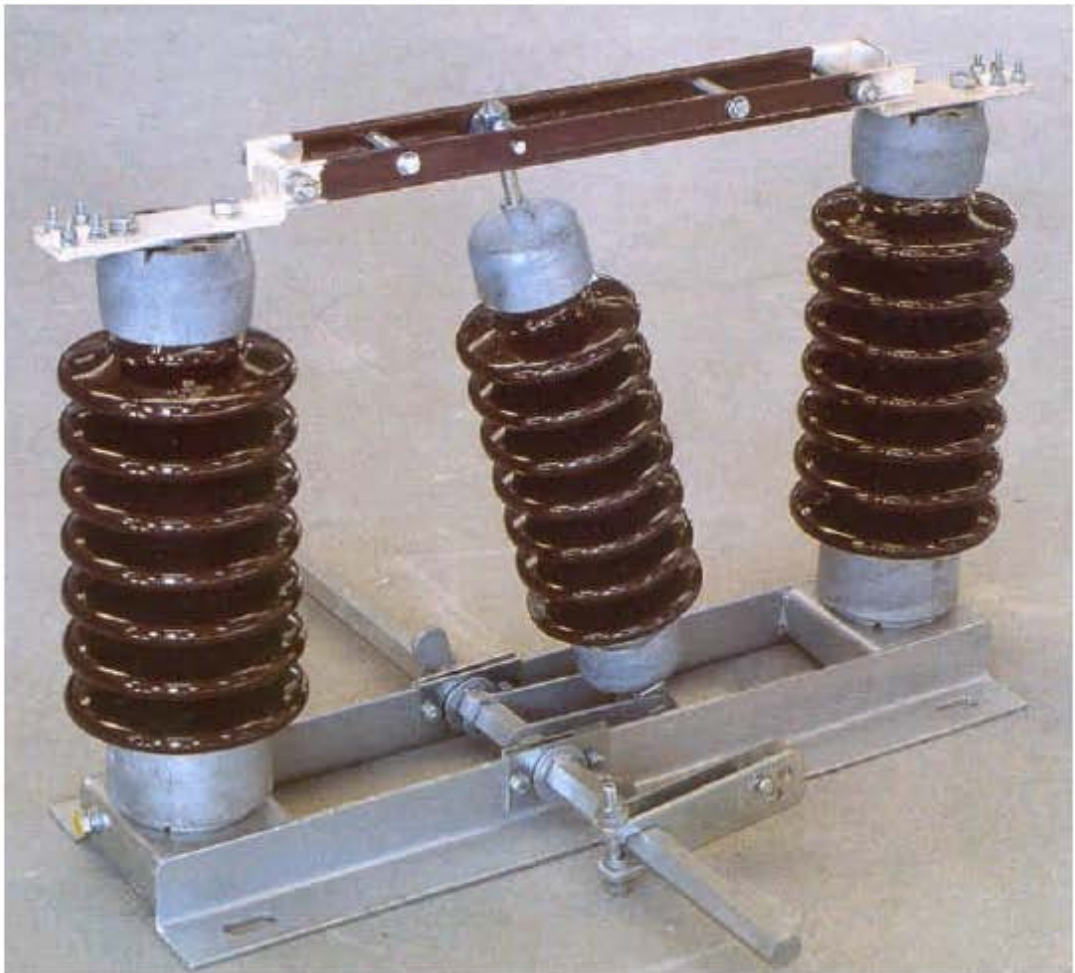




SENERJI

SINGLE-POLE OUTDOOR DISCONNECTOR

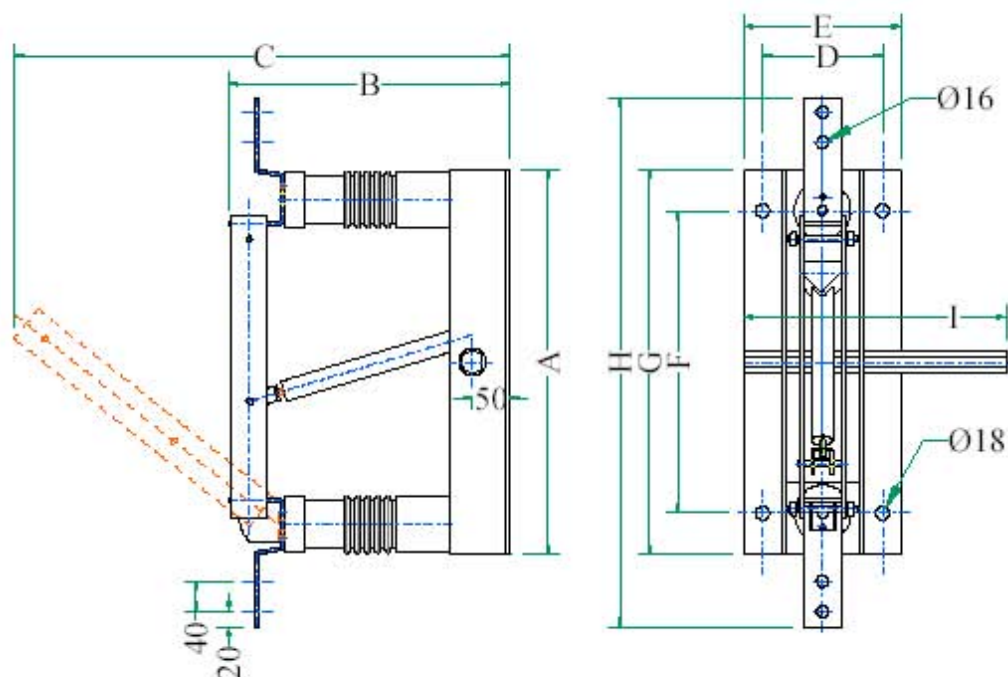


- ✓ *Designed to allow both vertical and horizontal mounting*
- ✓ *The twin sectioning blades and terminals are made of electrolytic copper. Terminals and contact surfaces of blades are silver plated.*
- ✓ *The framework is made of 5mm steel and electro-galvanized or hot dip galvanized*

SENERJI reserves all rights in this document and in the information contained therein. Any data contained therein may be changed without further notice. Reproduction, use or disclosure to third parties without express authority is strictly forbidden



SENERJI



ELECTRICAL DATA

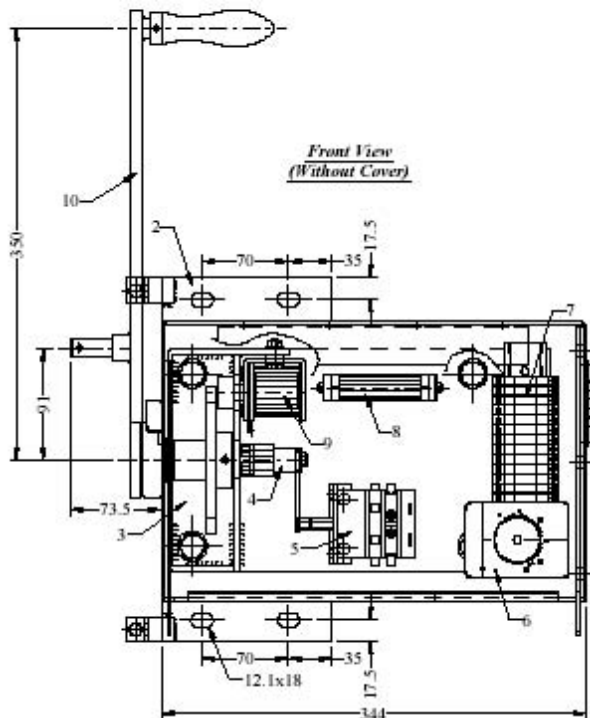
Type	Rated Voltage (kV)	Rated Current (A)	Short-Time Current (kA / 3sec)
SPOD-12	12 kV	630 or 1250	20, 25 or 31.5 kA/3sec
SPOD-17	17.5 kV		
SPOD-24	24 kV		
SPOD-36	36 kV		

MECHANICAL DATA

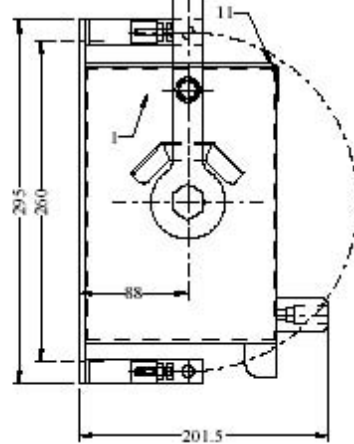
Type	Dimensions (mm)									Weight (kg)
	A	B	C	D	E	F	G	H	I*	
SPOD-12	560	280	540	210	260	450	560	780	450	29
SPOD-17	670	325	620	210	260	660	770	920	660	35
SPOD-24	840	370	770	210	260	730	840	1030	730	44
SPOD-36	910	515	970	210	260	800	910	1100	800	50

OPTIONS

- ✓ Operating Mechanism Box including on demand:
 - ↳ Auxiliary Contacts Block (up to 12 N.O. & 12 N.C.)
 - ↳ Motorized Operation (48... 110V_{dc} / 220V_{ac})
 - ↳ Electromagnetic Interlock (48... 110V_{dc} / 220V_{ac})



11	Cover
10	Handle
9	Electromechanic Coil
8	Heater
7	Terminals
6	Thermostat
5	Auxiliary Switches
4	Torque hexagon
3	Internal View
2	Fixation holes Plate
1	Box Assembly
<i>ID DESCRIPTION</i>	

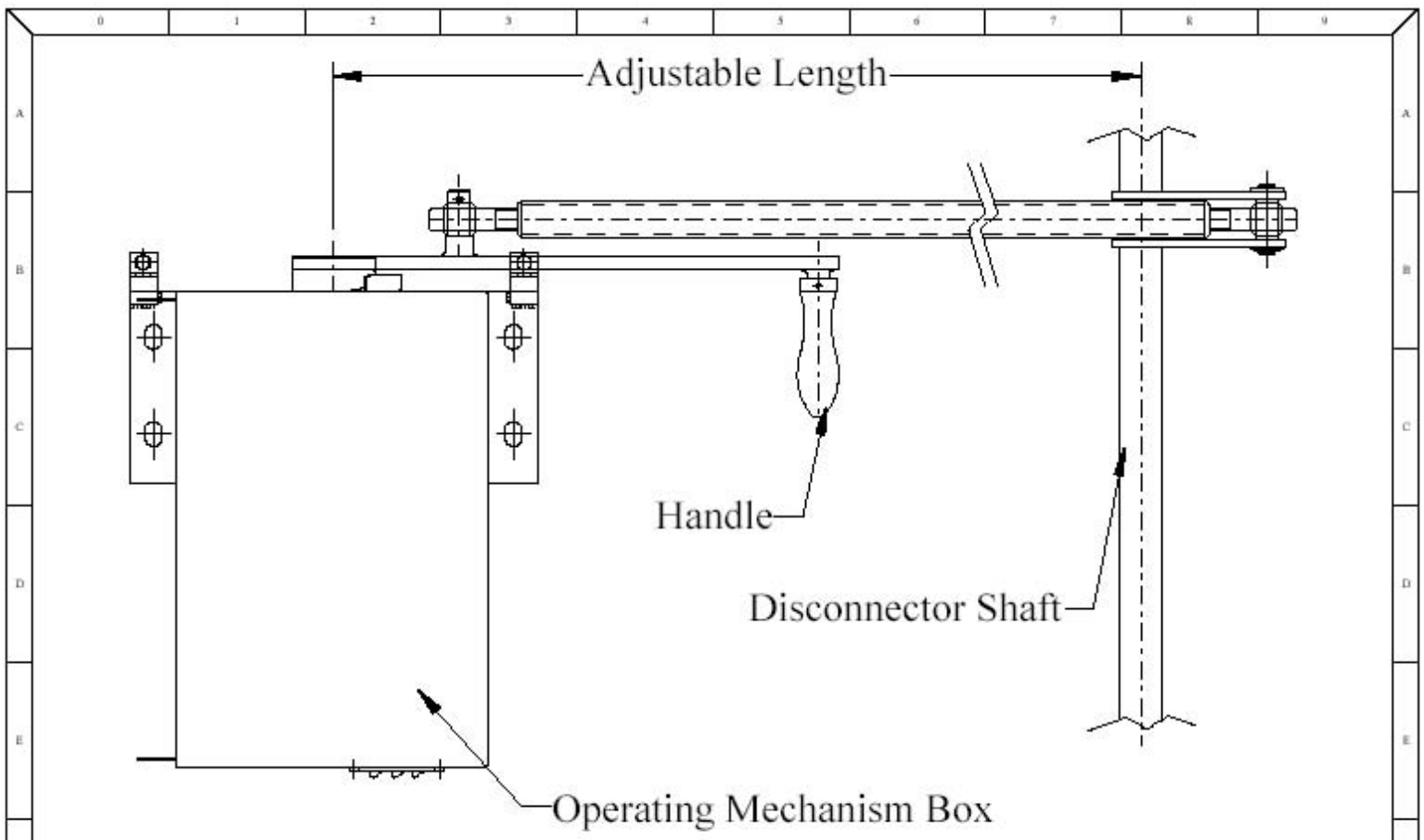


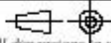
Rev.	Date	Drawn	Check	Modification
1	18/06/02	BA	CM	Drawing Update
0	18/06/02	BA	CM	First Issue


 all dimensions in mm

**Disconnector Operating Mechanism
Layout Drawing**

Customer: _____
 V.Ref: _____
 O.Ref: _____
 Dwg. nb.: TDOM
 Sheet: 1 of 2



					 <i>all dimensions in mm</i>	Customer:			
						Y/Ref:			
					O/Ref:				
					Dwg. nb.:				
					Sheet: of:				
Rev.	Date	Drawn	Check	Modification					
0	1	2	3	4	5	6	7	8	9